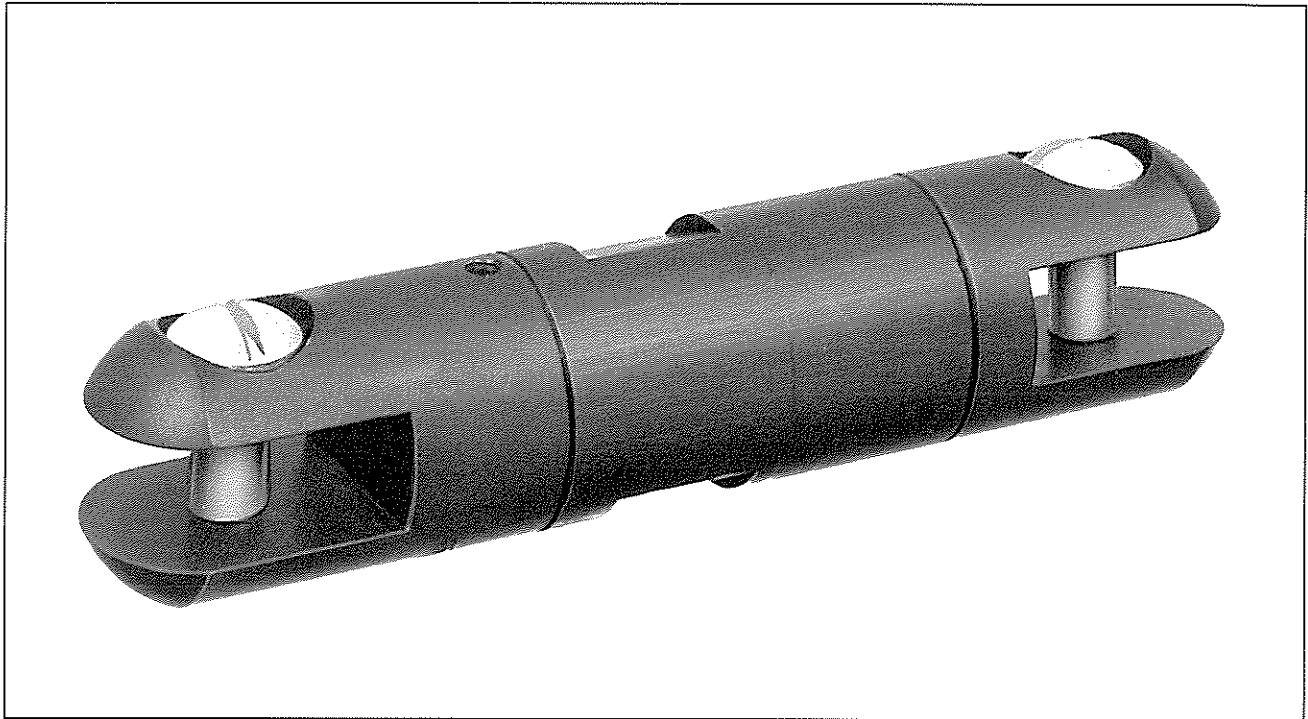


7/8" BREAK-AWAY SWIVEL TENSIONING BOLT



Disassembly Procedure

The following disassembly operation will deal with small parts. Disassembly and re-assembly should be done in an area where parts will not be lost if accidentally dropped.

1. Retrieve both halves of the broken swivel.
2. Loosen the #6-32 x 1/4" set screw located in the swivel body with the 1/8" Allen wrench provided and back it off 2-3 turns.
3. Unscrew and remove the remnant stud of the broken tension bolt.
4. Unscrew the stationary body where it joins the housing and remove the head of the broken tension bolt and the five thrust washers.
5. Place the five thrust washers on a new tension bolt of the desired tension value, making sure to follow this sequence: steel, plastic, steel, plastic, steel. Now check to see that every other washer is steel.
6. Replace the O-ring (if missing) where the swivel body mates with the housing.

7. Place the new tension bolt with washers through the housing and screw the bolt into the swivel body. **IMPORTANT:** Do not overtighten the tension bolt, because premature fracture may occur. Tighten the bolt lightly until it bottoms (don't use excessive force) ... then, unscrew 1/2 turn to achieve proper bearing clearance and swivel action.



DO NOT apply torque to the head of the tension bolt as overstressing the bolt may cause a lower breaking point.

8. Re-tighten the set screw into the side of the swivel body.
9. Screw the stationary body and housing together and tighten.

Questions? Comments? Call us!

We want you to be completely satisfied with cable placing products you get from GMP.

If you have a problem or need additional information, please call us at 1-800-345-6009 (in AK, HI, PA and outside the USA: call 1-215-357-5500 Ext: 251) from 8:00 AM to 5:00 PM EST on any USA business day; you can also send us a facsimile message any time at 1-215-357-6216. We would be happy to help!

! WARNING:

Break-away swivels are **not** to be used in aerial cable placing. If the swivel should break there is the possibility that the cable will reverse direction creating slack in an uncontrolled and potentially hazardous manner. Use break-away swivels **only** when placing cable in ducts.



TOOLS BUILT TO GO THE DISTANCE

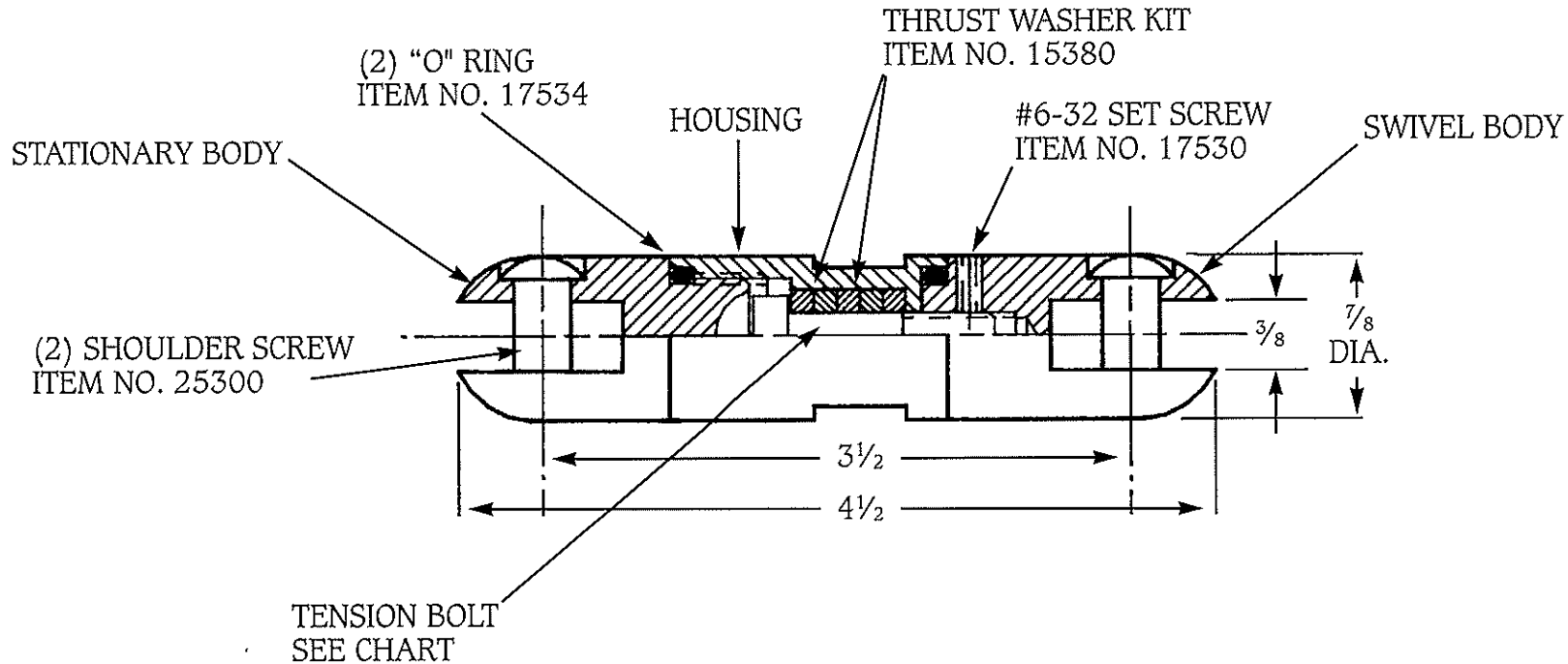
3111 Old Lincoln Highway
Trevose, PA 19053-4996
TEL: 215-357-5500
FAX: 215-357-6216



GMP reserves the right, without notice, to make changes in equipment design or components as progress in engineering or manufacturing methods may warrant. All information contained herein is subject to such change.

Printed in U.S.A. GM4078-2M-995-AP

7/8" BREAK-AWAY SWIVEL TENSIONING BOLT



IMPORTANT SAFETY NOTICE:

ALL PERSONNEL SHOULD STAND CLEAR OF THE PULLING LINE WHEN USING ANY BREAK-AWAY SWIVEL, IN THE EVENT THAT EXCESSIVE PULLING RESISTANCE CAUSES THE SWIVEL TO BREAK APART AND POSSIBLY EXIT THE DUCT AT GREAT SPEED.

NOTES:

1. BREAKING TOLERANCE $\pm 5\%$
2. WARNING!! DO NOT OVERTIGHTEN THE TENSION BOLT, BECAUSE PREMATURE FRACTURE MAY OCCUR. TIGHTEN THE BOLT LIGHTLY UNTIL IT BOTTOMS (NOT USING EXCESSIVE FORCE). THEN, UNSCREW 1/2 TURN TO ACHIEVE PROPER BEARING CLEARANCE AND SWIVEL ACTION.
3. USE A GOOD QUALITY SILICON LUBRICANT ON ALL INTERNAL PARTS
4. SEE OTHER SIDE FOR DISASSEMBLY PROCEDURE

Break Point	Part Number	Bolt Color	Bolt Part No.
340	53700	White	30332
450	53701	Orange	34786
600	53702	Yellow	34341
800	53703	Blue	34342
1,000	53704	Green	34343
1,200	53705	Red	34344