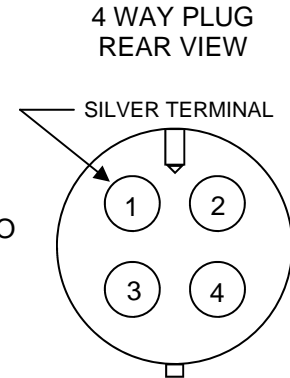
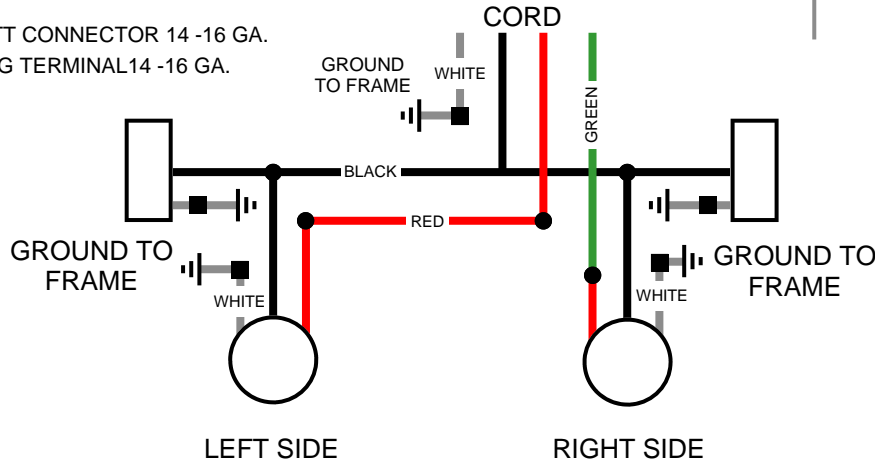


# GMP POLE TRAILER LIGHT KIT- 4 WAY

WIRING DATA - 4 WAY	
CORD DESCRIPTION - 18 ga. S.O. 4 CONDUCTOR	
WHITE	GROUND
BLACK	CLEARANCE AND MARKER
RED	LEFT TURN / STOP
GREEN	RIGHT TURN / STOP

PLUG PIN ALLOCATIONS	
PIN 1	GROUND (WHITE)
PIN 2	CLEARANCE AND MARKER (BLACK)
PIN 3	LEFT TURN / STOP (RED)
PIN 4	RIGHT TURN / STOP (GREEN)

- BUTT CONNECTOR 14 -16 GA.
- RING TERMINAL 14 -16 GA.



General Machine Products Co., Inc. • 3111 Old Lincoln Hwy • Treose, PA 19053 • USA  
 TEL: +1-215-357-5500 • FAX: +1-215-357-6216 • www.gmptools.com

# GMP POLE TRAILER LIGHT KIT- 6 WAY

## WIRING DATA - 6 WAY

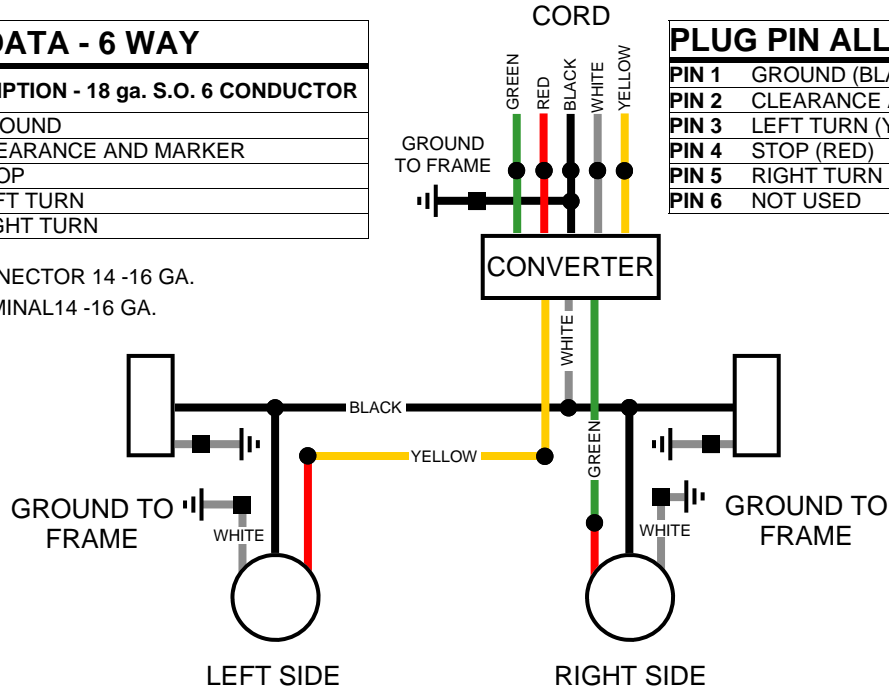
**CORD DESCRIPTION - 18 ga. S.O. 6 CONDUCTOR**

<b>BLACK</b>	GROUND
<b>WHITE</b>	CLEARANCE AND MARKER
<b>RED</b>	STOP
<b>YELLOW</b>	LEFT TURN
<b>GREEN</b>	RIGHT TURN

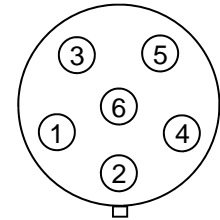
- BUTT CONNECTOR 14 -16 GA.
- RING TERMINAL 14 -16 GA.

## PLUG PIN ALLOCATIONS

<b>PIN 1</b>	GROUND (BLACK)
<b>PIN 2</b>	CLEARANCE AND MARKER (WHITE)
<b>PIN 3</b>	LEFT TURN (YELLOW)
<b>PIN 4</b>	STOP (RED)
<b>PIN 5</b>	RIGHT TURN (GREEN)
<b>PIN 6</b>	NOT USED



6 WAY PLUG  
REAR VIEW



General Machine Products Co., Inc. • 3111 Old Lincoln Hwy • Trevose, PA 19053 • USA  
TEL: +1-215-357-5500 • FAX: +1-215-357-6216 • [www.gmptools.com](http://www.gmptools.com)

# GMP POLE TRAILER LIGHT KIT- 7 WAY

## WIRING DATA - 7 WAY

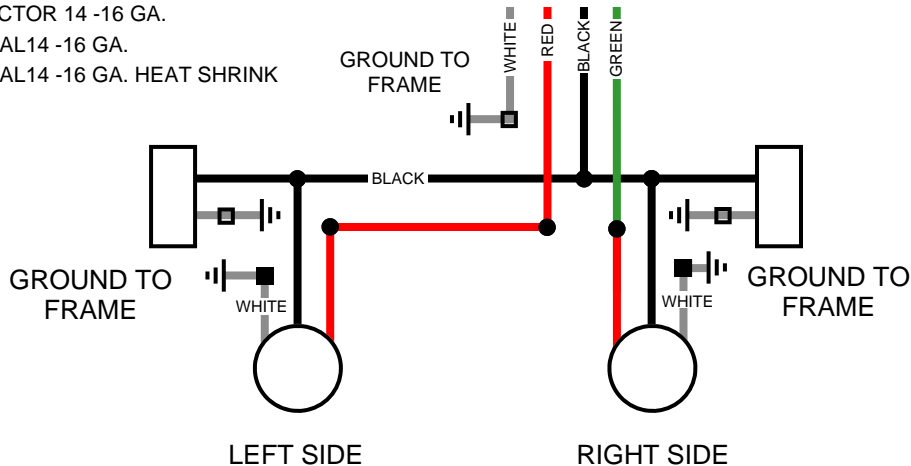
**CORD DESCRIPTION - 18 ga. S.O. 4 CONDUCTOR**

<b>WHITE</b>	GROUND
<b>BLACK</b>	CLEARANCE AND MARKER
<b>RED</b>	LEFT TURN / STOP
<b>GREEN</b>	RIGHT TURN / STOP

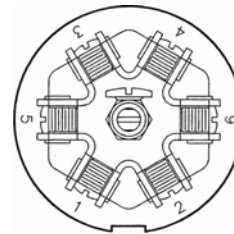
- BUTT CONNECTOR 14 -16 GA.
- RING TERMINAL 14 -16 GA.
- RING TERMINAL 14 -16 GA. HEAT SHRINK

## PLUG PIN ALLOCATIONS

<b>PIN 1</b>	GROUND (WHITE)
<b>PIN 3</b>	CLEARANCE AND MARKER (BLACK)
<b>PIN 5</b>	LEFT TURN / STOP (RED)
<b>PIN 6</b>	RIGHT TURN / STOP (GREEN)



7 WAY PLUG  
REAR VIEW



General Machine Products Co., Inc. • 3111 Old Lincoln Hwy • Trevoze, PA 19053 • USA  
 TEL: +1-215-357-5500 • FAX: +1-215-357-6216 • [www.gmptools.com](http://www.gmptools.com)