



WG

Replacement Parts



General Machine Products Co.

3111 Old Lincoln Highway

Trevose, PA 19053 USA

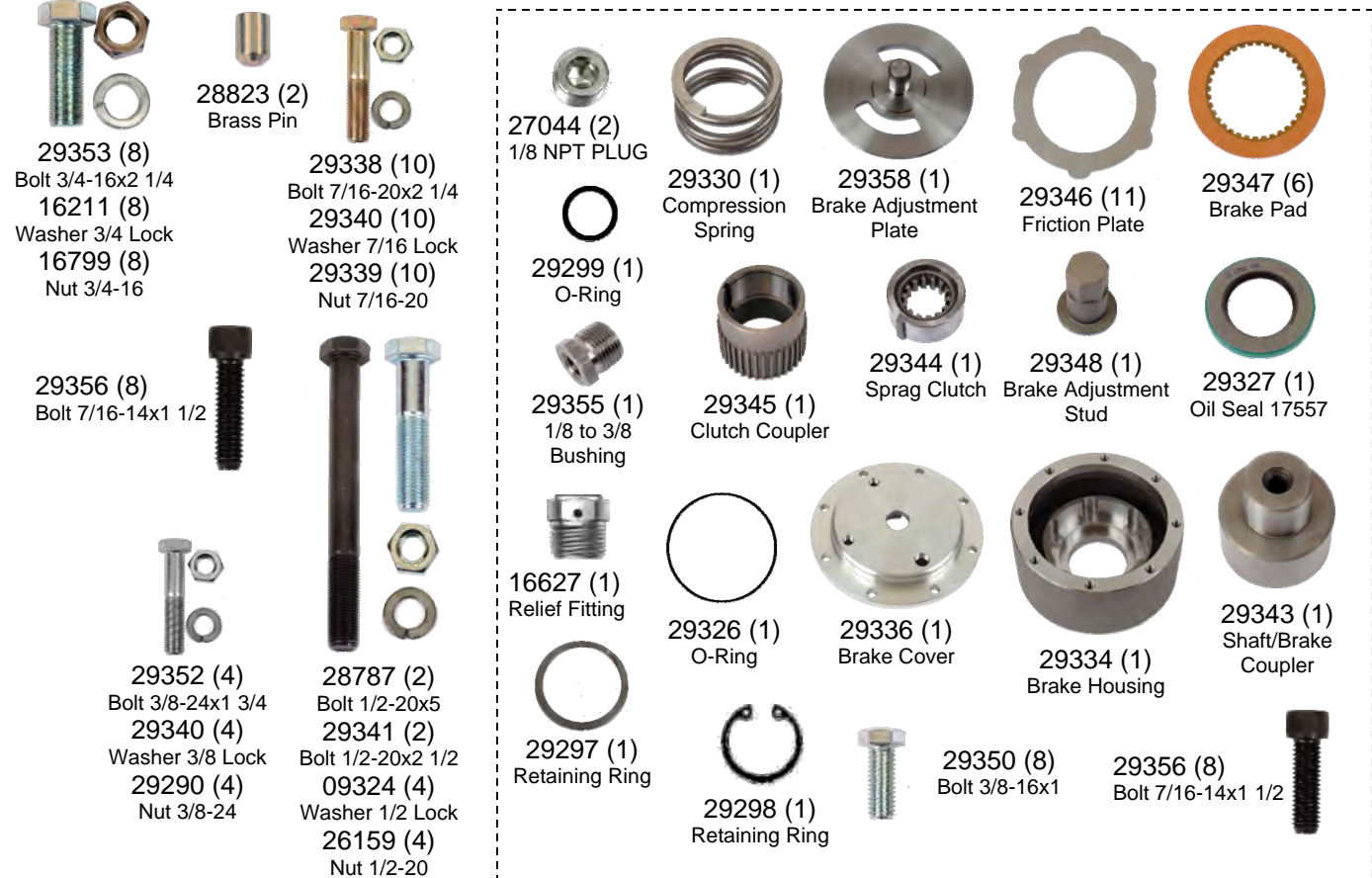
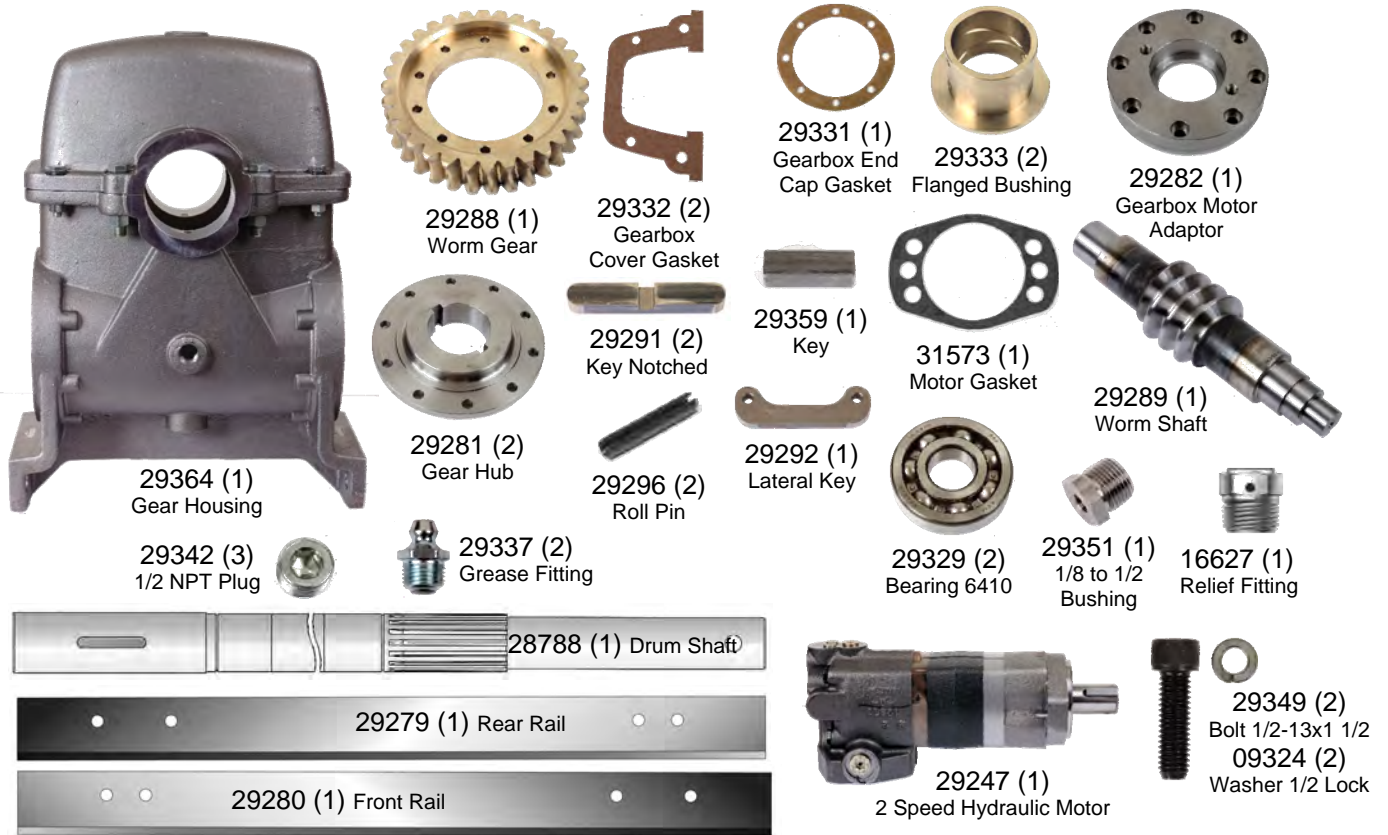
Tel: +1.215.357.5500

Fax: +1.215.357.6216

Email: info@GMPtools.com

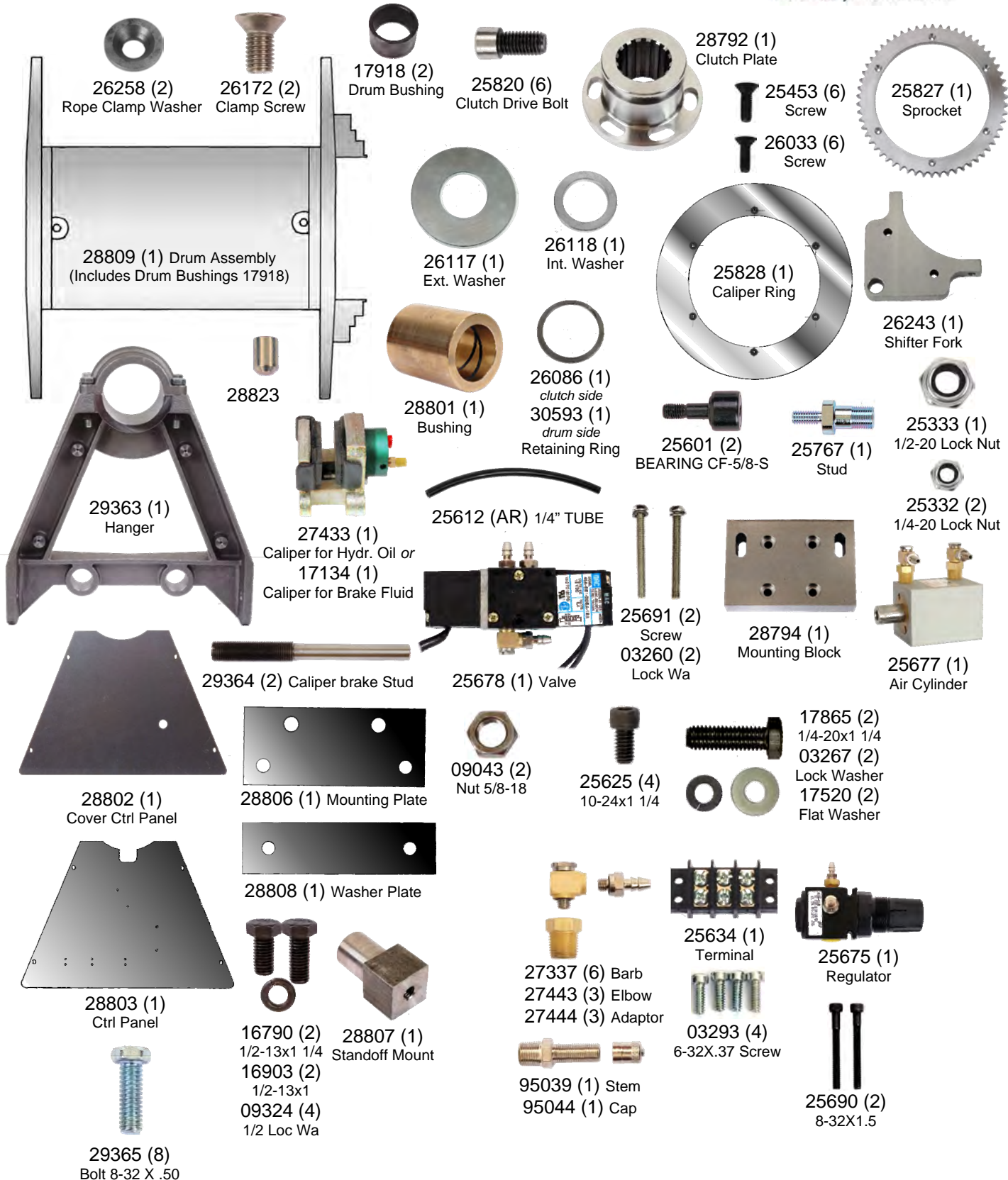
Web: www.GMPtools.com

WG Main Gear Box Parts Identification



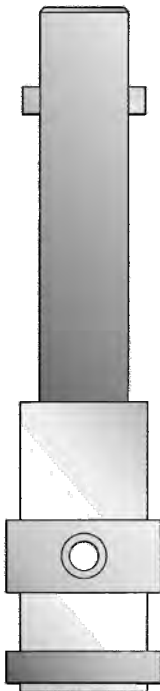
Note:
 Photos are not depicted to scale.
 Quantity used are in parentheses.

WG Winch Drum Area Parts Identification



Note:
 Photos are not depicted to scale.
 Quantity used are in parentheses.

WG Parts Box Identification



15691 (1)
Drum Shaft ext.

Also Contains **15694 Pin Assembly** AND **15992 roll Pin**



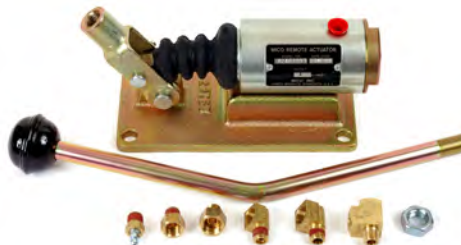
17136 (1) Reservoir



32349 (1) (02-460-148)
Ratcheting Actuator for Hydraulic oil
32293 (1) (02-460-147)
Ratcheting Actuator for Brake Fluid



17137 (1) HOSE



17135 (1) (02-460-093)
Non Ratcheting Actuator for Brake Fluid
27434 (1) (02-460-028)
Non Ratcheting Actuator for Hydraulic Oil



27433 (1) (02-515-030)
Caliper for Hydraulic Oil
17134 (1) (02-515-025)
Caliper for Brake Fluid

Note:

Photos are not depicted to scale.
Quantity used are in parentheses.