



Contact: GMP 3111 Old Lincoln Hwy Trevose, PA 19053-4996 USA
 Tel: (215) 357-5500 Fax: (215) 357-6216
 E-Mail: info@GMPtools.com www.GMPtools.com

C2 Cable Lasher Parts Identification and Pricing Guide

Effective February 1, 2007

GEAR HOUSING



#	P/N	Description	Price	#	P/N	Description	Price
1	27692	Gear Housing Cover	40.00	19	07564	Brake Release Lever Seal	2.70
2	15012	Gear Housing Cover Screws	1.10	20	27826	Ratchet Pawl Eccentric Screw	8.67
3	27670	Gear Housing	320.00	21	17835	Ratchet Pawl Eccentric Nut	1.20
4	07556	Front Strand Wheel Assy	60.00	22	03040	Ratchet Pawl Spring Screw	4.00
5	03030	Nut to Clamp Strand Wheel	4.27	23	27697	Left Hand Pinion Shaft Assy	69.33
6	07565	Strand Drive Shaft, Idler Gear	30.00	24	15011	Right Hand Pinion Shaft Assy	66.67
7	03056	Idler Gear Oilite Bushings	1.73	25	03055	88500 Ball Bearing	16.00
8	07558	Rear Strand Wheel Assy	160.00	26	07568	88500 Ball Bearing Retaining Ring	8.00
9	03054	88013 Bearings	13.87	28	28115	Strand Drive Wheel	9.33
10	07559	Bearing Retainer Rings	8.00	29	03039	Strand Drive Wheel Square Nut	5.33
11	07569	Bearing Retainer Rings Screws	1.10	30	28116	Stand Drive Wheel Clamp Washers	2.40
12	27682	Strand Tensioning Roller Assy	133.33	31	03328	Stop Plate Assy	9.33
13	07561	Screw and Washer Assy	1.10	32	03276	Truarc Retaining Ring 5100-39	.80
14	27677	Strand Lock Guide	21.33	33	03277	Truarc Retaining Ring 5100-50	.80
15	28247	Ratchet Pawl on Brake	21.33	34	07584	Brass Washers for Idler Gear	2.20
16	03037	Ratchet Pawl Spring	1.47	35	27825	Strand Lock Retainer	9.25
17	03041	Ratchet Pawl Spring Sleeve	.93	36	07583	Dowel Pins	3.00
18	27686	Brake Release Lever	8.00	37	03163	Cover Bracket	2.00



C2 Cable Lasher Parts Identification Guide

Contact: GMP 3111 Old Lincoln Hwy Trevoese, PA 19053-4996 USA

Tel: (215) 357-5500 Fax: (215) 357-6216

E-Mail: info@GMPtools.com www.GMPtools.com

ROTATING DRUM



#	P/N	Description	Price
38	27672	Front Bearing Ring	23.33
39	15031	Screws & Washers for Front Ring	1.10
40	04736	Handle	10.40
41	15036	Handle Screws	1.10
42	26055	Snubbing Pulley	16.67
43	03403	Left Wire Coil Door Assy (Casting # B650039)	69.33
44	03404	Right Wire Coil Door Assy (Casting # B650038)	72.00
45	15067	Pulley for Wire Coil Door	8.00
46	03064	Shaft for Pulley	5.33
47	03068	Plate for Wire Coil Door	3.07
48	04734	Hinge Pin for Thumb Screw Catch	3.33
49	07547	Wire Coil Door Thumb Screw Catch	16.80
50	04735	Thumb Screw Spring	1.67
51	04803	Wire Coil Door Hinge Pin	3.67
52	04737	Coil Door Release Spring	2.27
53	27671	Rotating Drum	560.00
54	27674	Ring Gear	86.67
55	07571	Ring Gear Screws	1.60
56	15014	Ring Gear Lock Washers	1.10
57	27673	Rear Bearing Ring	20.80
58	15015	Screws & Washers for Rear Ring	1.10



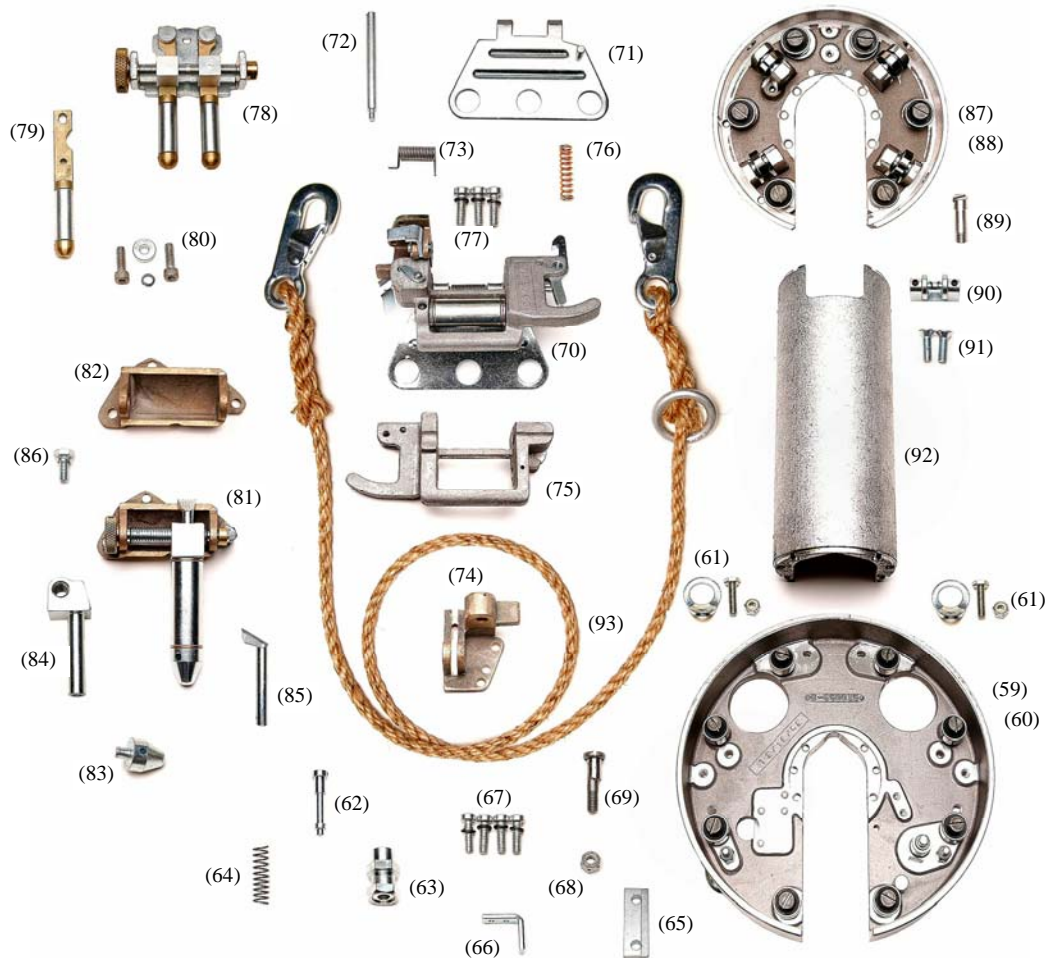
C2 Cable Lasher Parts Identification Guide

Contact: GMP 3111 Old Lincoln Hwy Trevose, PA 19053-4996 USA

Tel: (215) 357-5500 Fax: (215) 357-6216

E-Mail: info@GMPtools.com www.GMPtools.com

FRONT AND REAR PLATES, SPACER AND LIFTER ASSY



#	P/N	Description	Price	#	P/N	Description	Price
59	27688	Front Plate Assy	240.00	77	15019	Front Cable Lifter Screws	1.10
60	27675	Front Plate	104.00	78	27698	Vertical Cable Roller Assy	146.67
61	15016	Ring Towing Assy	3.30	79	07509	Leg Assy	27.70
62	15452	Plunger Assy	10.67	80	28031	Vertical Assy Screws	5.60
63	15038	Plunger Housing Set	7.50	81	03408	Rear Cable Lifter Assy	153.33
64	03089	Plunger Housing Spring	.87	82	27818	Brass Hinge Casting	29.33
65	02020	Front Lifter Locking Plate	24.80	83	02047	Nose	23.33
66	25144	Front Lifter Guide	3.20	84	02051	Shaft	53.33
67	15017	Hardware for C2(65) & C2(66)	.60	85	02052	Club	20.00
68	03273	Elastic Stop Nut	.67	86	15021	Screw & Washer for C2(81)	.70
69	03091	Eccentric Screw	3.33	87	27689	Rear Plate Assy	206.00
70	27691	Front Cable Lifter Assy	200.00	88	27685	Rear Plate	109.33
71	07204	Pulling Plate & Pin	12.00	89	25158	Plain Stud for Ball Bearing	4.00
72	02032	Shaft Pin	4.00	90	15024	Strand Roller Assy	34.67
73	27843	Spring	5.33	91	15025	Strand Roller Screws	.90
74	02070	Bracket	33.33	92	27676	Spacer Casting	36.67
75	27690	Mounting Casting	73.33	93	03165	Pulling Rope	42.67
76	02068	Front Cable Lifter Spring	2.00				