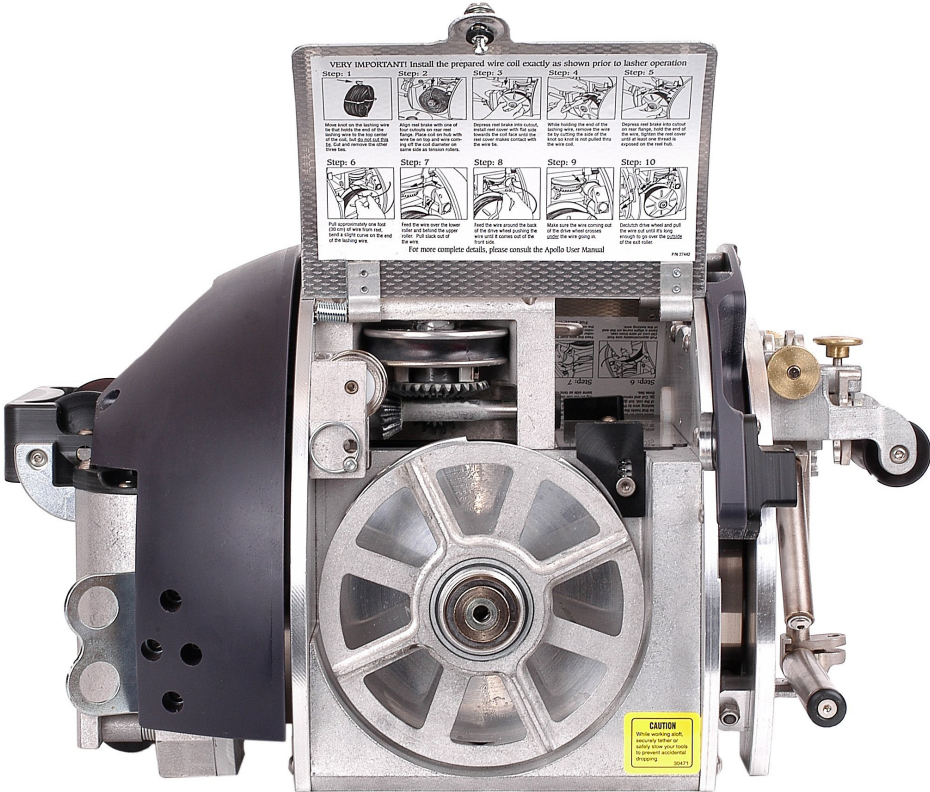


GMP APOLLO LASHER PARTS IDENTIFICATION GUIDE

for model series 70400

Effective March 15, 2015



CRAFTWORKTOOLS™
 Exclusive Distributor for GMP Lasher Parts



Apollo Cable Lasher Parts Identification Guide
 Contact: GMP 3111 Old Lincoln Hwy Treose, PA 19053 USA
 Tel: (215) 357-5500 Fax: (215) 357-6216
 www.GMPtools.com

Note: Some Images may appear larger than they are for clarity purposes.

Apollo parts and price list_CWT_update 062917.pub
 AK 6/29/2017

NOTES



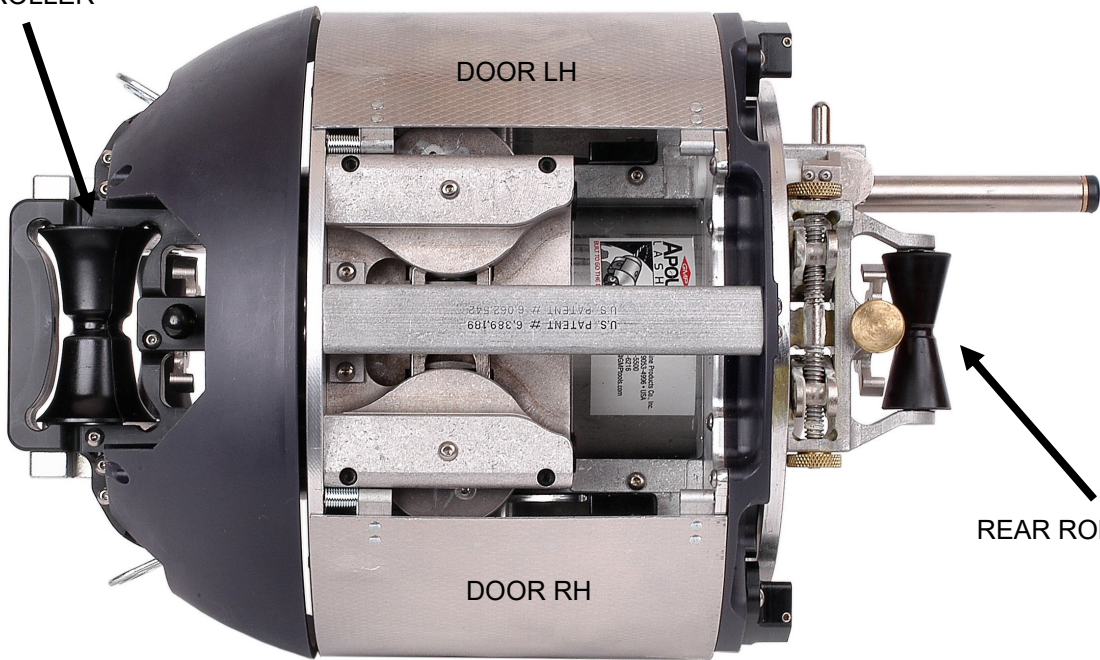
Apollo Cable Lasher Parts Identification Guide

Contact: GMP 3111 Old Lincoln Hwy Trevose, PA 19053 USA
 Tel: (215) 357-5500 Fax: (215) 357-6216
 www.GMPtools.com

Note: Some Images may appear larger than they are for clarity purposes.

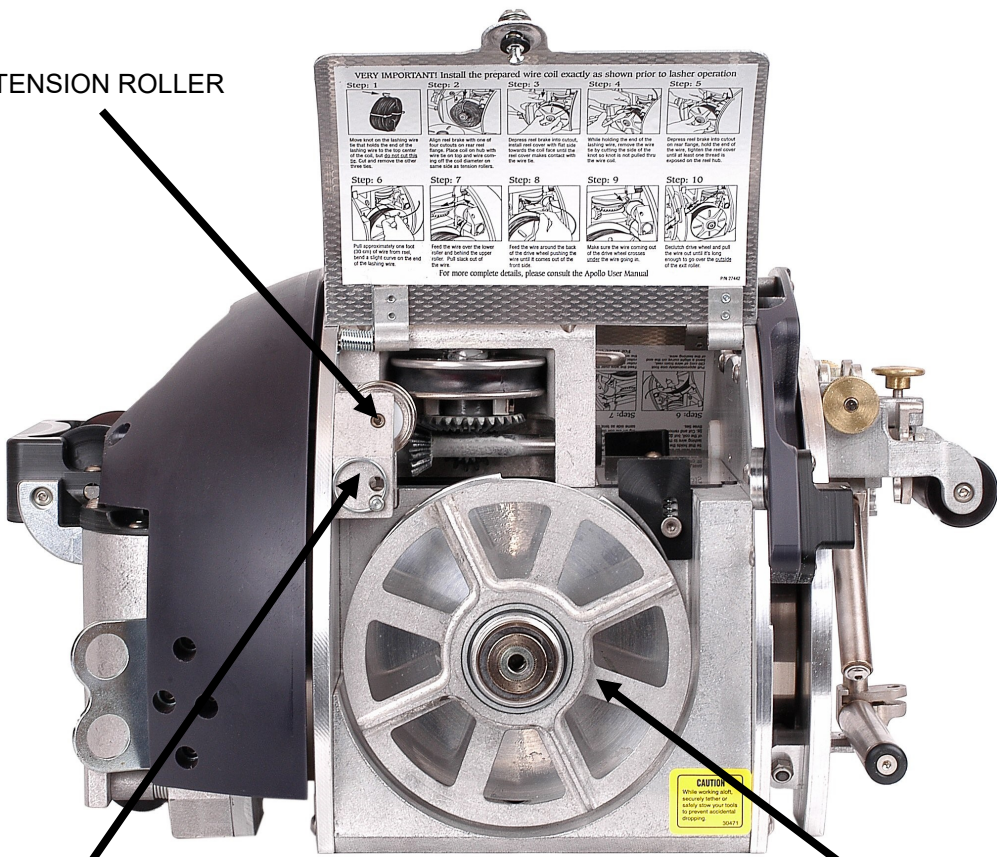
*Apollo parts and price list_CWT_update 062917.pub
 AK 6/29/2017*

FRONT ROLLER



REAR ROLLER

UPPER TENSION ROLLER



LOWER TENSION ROLLER

REEL COVER



Apollo Cable Lasher Parts Identification Guide

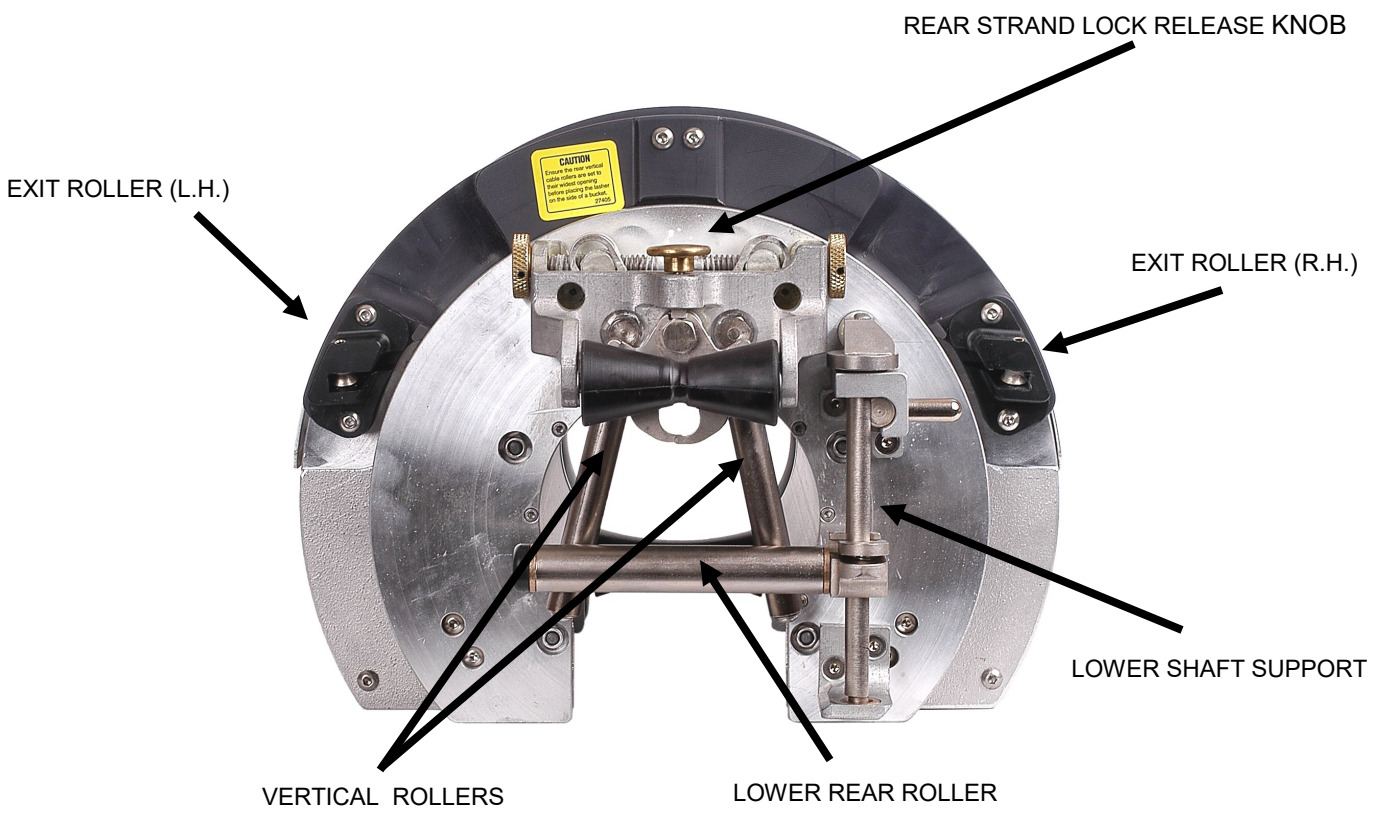
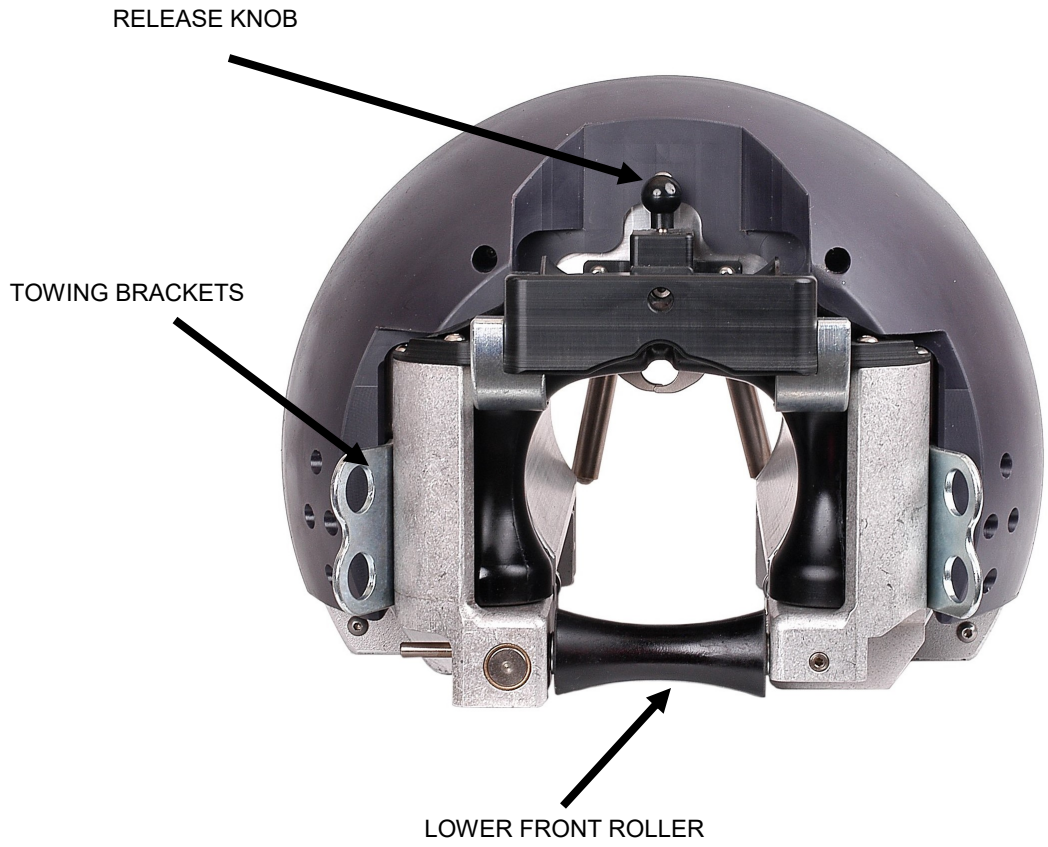
Contact: GMP 3111 Old Lincoln Hwy Trevose, PA 19053 USA

Tel: (215) 357-5500 Fax: (215) 357-6216

www.GMPtools.com

Note: Some Images may appear larger than they are for clarity purposes.

Apollo parts and price list_CWT_update 062917.pub
AK 6/29/2017



Apollo Cable Lasher Parts Identification Guide

Contact: GMP 3111 Old Lincoln Hwy Trevose, PA 19053 USA
 Tel: (215) 357-5500 Fax: (215) 357-6216
 www.GMPtools.com

Note: Some Images may appear larger than they are for clarity purposes.

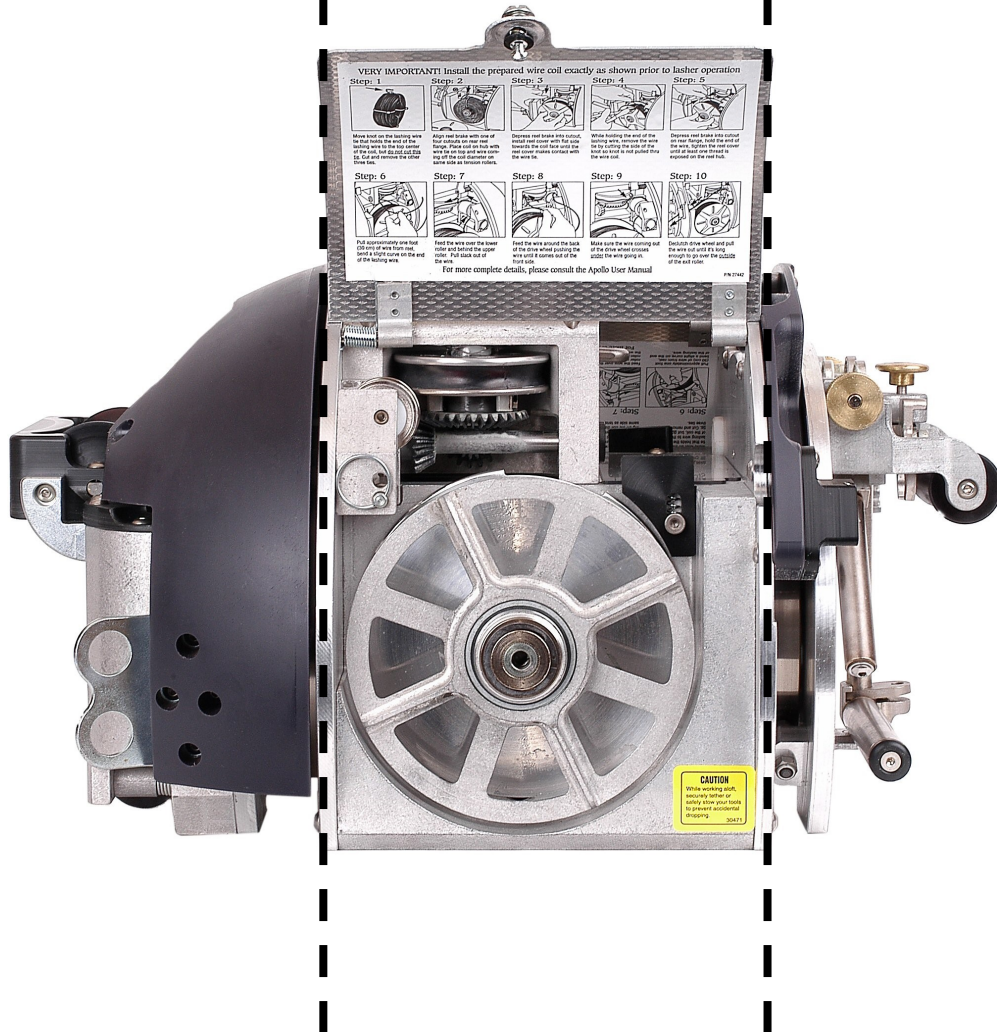
Apollo parts and price list_CWT_update 062917.pub
 AK 6/29/2017

PARTS LOCATOR

FRONT

CENTER

REAR



VERY IMPORTANT! Install the prepared wire coil exactly as shown prior to lasher operation

Step 1: Make sure the lashing wire has been broken at the end of the coil. The coil should be held with the coil holder. Place the coil holder on the coil and rotate the coil holder.

Step 2: Align the lashing wire with one of the rollers on the roller stand. Place the coil holder on the coil and rotate the coil holder.

Step 3: Disengage the roller stand rollers. The coil holder will rotate the coil as the rollers rotate.

Step 4: While holding the end of the lashing wire, rotate the wire around the roller stand rollers. The coil holder will rotate the coil as the rollers rotate.

Step 5: Disengage the roller stand rollers. The coil holder will rotate the coil as the rollers rotate.

Step 6: Put approximately one inch of the lashing wire on the roller stand rollers. The coil holder will rotate the coil as the rollers rotate.

Step 7: Feed the wire into the roller stand rollers. The coil holder will rotate the coil as the rollers rotate.

Step 8: Feed the wire around the back of the roller stand rollers. The coil holder will rotate the coil as the rollers rotate.

Step 9: Make sure the wire coming out of the roller stand rollers is in the correct position. The coil holder will rotate the coil as the rollers rotate.

Step 10: Disengage the roller stand rollers. The coil holder will rotate the coil as the rollers rotate.

For more complete details, please consult the Apollo User Manual.

PN 77402

CAUTION
While working with this machine, use your hands to prevent accidental stepping.
30477



Apollo Cable Lasher Parts Identification Guide

Contact: GMP 3111 Old Lincoln Hwy Treviso, PA 19053 USA

Tel: (215) 357-5500 Fax: (215) 357-6216

www.GMPtools.com

Note: Some Images may appear larger than they are for clarity purposes.

Apollo parts and price list_CWT_update 062917.pub
AK 6/29/2017



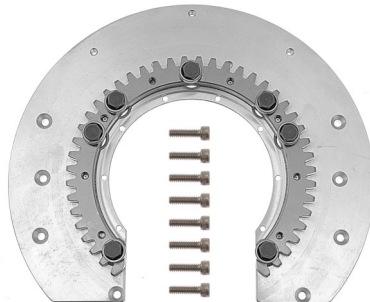
APOLLO LASHER FRONT SECTION



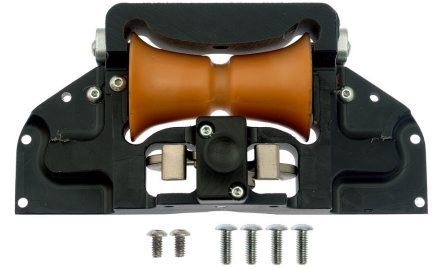
COVER AND HARDWARE -
APOLLO p/n 33447



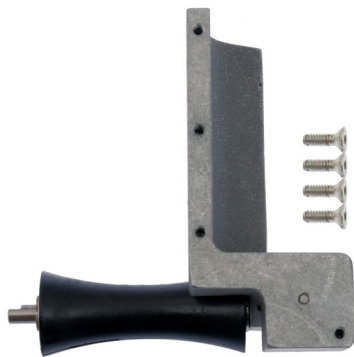
FRONT PLATE ASSEMBLY -
APOLLO p/n 33495



TOP HOUSING -
APOLLO p/n 33494



R.H. HOUSING KIT -
APOLLO p/n 33497



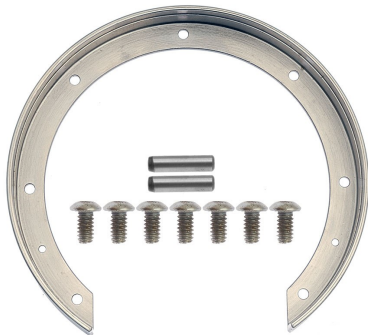
L.H. HOUSING KIT -
APOLLO p/n 33498



FRONT LIFTER KIT -
APOLLO p/n 33450



FRONT BEARING RING KIT -
APOLLO p/n 33449



LATCH HANDLE KIT -
APOLLO p/n 33459



SIDE ROLLER ASSY KIT -
APOLLO p/n 33476



Apollo Cable Lasher Parts Identification Guide

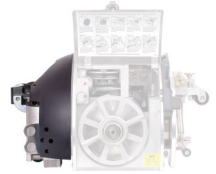
Contact: GMP 3111 Old Lincoln Hwy Trevose, PA 19053 USA
Tel: (215) 357-5500 Fax: (215) 357-6216
www.GMPtools.com

Note: Some Images may appear larger than they are for clarity purposes.

Apollo parts and price list_CWT_update 062917.pub
AK 6/29/2017



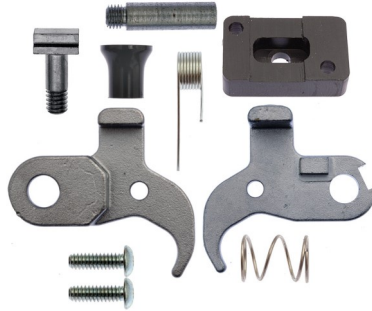
APOLLO LASHER FRONT SECTION



SLEEVE ASSY KIT -
APOLLO p/n 33477



STRAND LOCK KIT -
APOLLO p/n 33478



TOWING EYE KIT -
APOLLO p/n 33480



WEAR BLOCK KIT -
APOLLO p/n 33485



Apollo Cable Lasher Parts Identification Guide

Contact: GMP 3111 Old Lincoln Hwy Trevose, PA 19053 USA
Tel: (215) 357-5500 Fax: (215) 357-6216
www.GMPtools.com

Note: Some Images may appear larger than they are for clarity purposes.

Apollo parts and price list_CWT_update 062917.pub
AK 6/29/2017



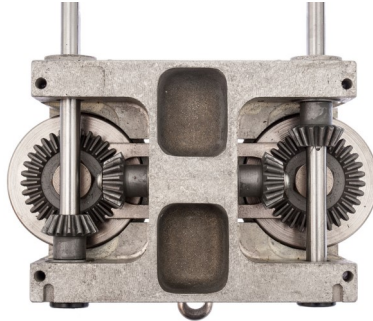
APOLLO LASHER CENTER SECTION



ROTATING DRUM ASSY -
APOLLO p/n 27641



GEAR HOUSING ASSY -
APOLLO p/n 27293



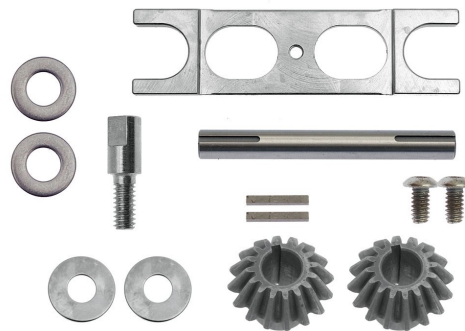
DRAG BRAKE KIT -
APOLLO p/n 33448



FRONT PLATE BEARING KIT
APOLLO p/n 33451



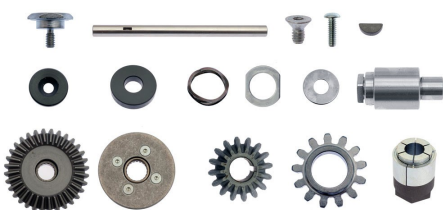
DRIVE SHFT & CLUTCH PLATE
APOLLO p/n 33452



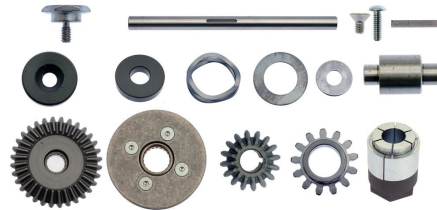
CLUTCH RELEASE HANDLE
APOLLO p/n 33453



L.H. DRIVE SHAFT -
APOLLO p/n 33454



R.H. DRIVE SHAFT -
APOLLO p/n 33455



GEAR BOX MOUNT HW -
APOLLO p/n 33456



Apollo Cable Lasher Parts Identification Guide

Contact: GMP 3111 Old Lincoln Hwy Trevose, PA 19053 USA
Tel: (215) 357-5500 Fax: (215) 357-6216
www.GMPtools.com

Note: Some Images may appear larger than they are for clarity purposes.

Apollo parts and price list_CWT_update 062917.pub
AK 6/29/2017



APOLLO LASHER CENTER SECTION



ROTATING DRUM HANDLE -
APOLLO p/n 33458



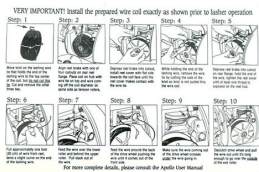
L.H. & R. H. REEL STOPS -
APOLLO p/n 33460



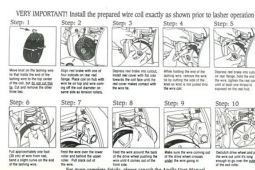
REAR HOUSING GUARD KIT
APOLLO p/n 33467



L. H. DOOR KIT -
APOLLO p/n 33461



R.H. DOOR KIT
APOLLO p/n 33472



REEL ASSY KIT
APOLLO p/n 33470



REEL SUPPORT KIT
APOLLO p/n 33471



TENSION EYE KIT -
APOLLO p/n 33479



TUBING KIT -
APOLLO p/n 33481



Apollo Cable Lasher Parts Identification Guide

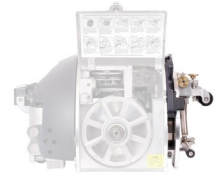
Contact: GMP 3111 Old Lincoln Hwy Trevose, PA 19053 USA
Tel: (215) 357-5500 Fax: (215) 357-6216
www.GMPtools.com

Note: Some Images may appear larger than they are for clarity purposes.

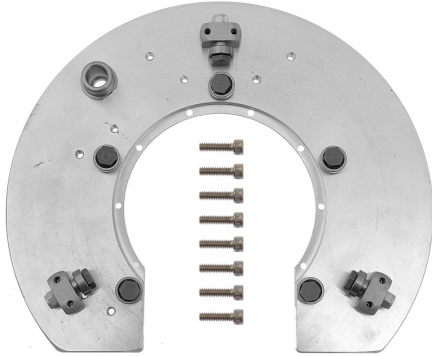
Apollo parts and price list_CWT_update 062917.pub
AK 6/29/2017



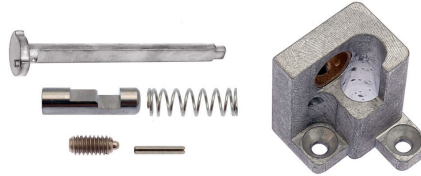
APOLLO LASHER REAR SECTION



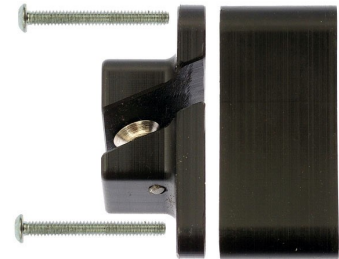
REAR PLATE ASSY -
APOLLO p/n 33496



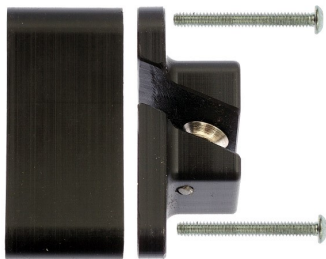
D SHAFT KIT -
APOLLO p/n 33446



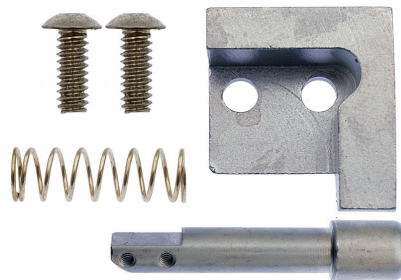
L.H. EXIT ROLLER ASSY
APOLLO p/n 33462



R.H. EXIT ROLLER ASSY -
APOLLO p/n 33473



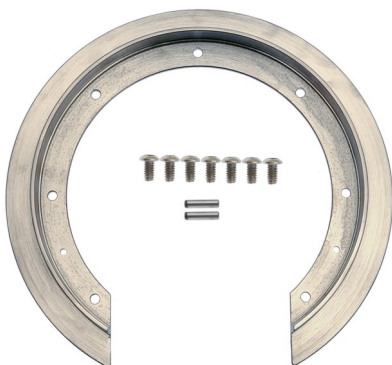
PLUNGER KIT
APOLLO p/n 33463



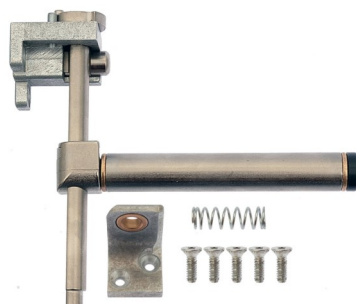
REAR ADAPTOR KIT
APOLLO p/n 33464



REAR BEARING RING KIT
APOLLO p/n 33465



REAR LIFTER ASSY KIT -
APOLLO p/n 33468



REAR PLATE BEARING KIT -
APOLLO p/n 33469



Apollo Cable Lasher Parts Identification Guide

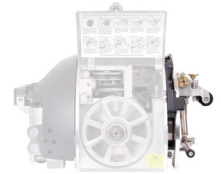
Contact: GMP 3111 Old Lincoln Hwy Trevoese, PA 19053 USA
Tel: (215) 357-5500 Fax: (215) 357-6216
www.GMPtools.com

Note: Some Images may appear larger than they are for clarity purposes.

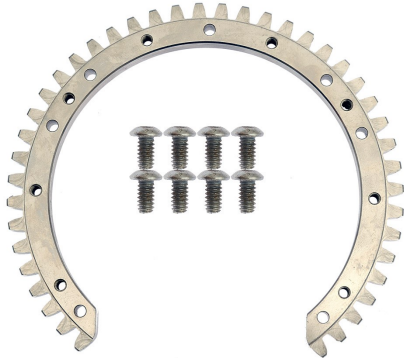
Apollo parts and price list_CWT_update 062917.pub
AK 6/29/2017



APOLLO LASHER REAR SECTION



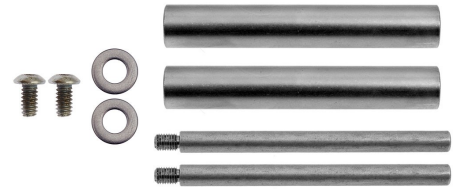
RING GEAR KIT-
APOLLO p/n 33474



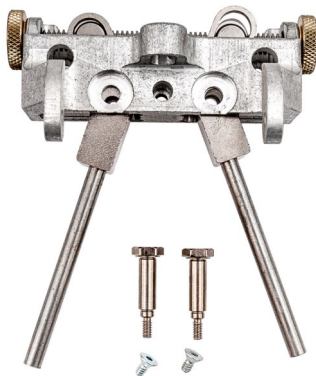
SHAFT PIVOT ROLLER -
APOLLO p/n 33475



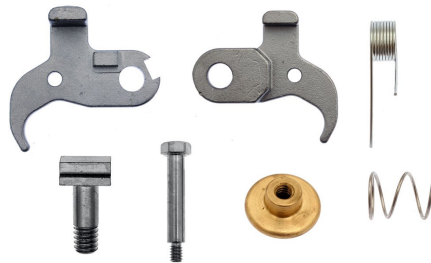
VERTICAL LEG ASSY
APOLLO p/n 33482



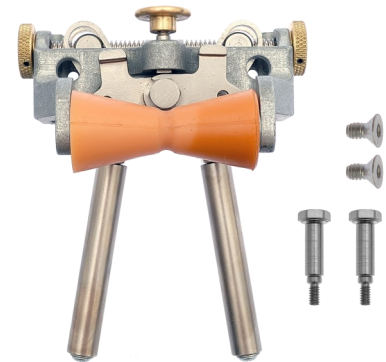
VERTICAL REPLACEMENT -
APOLLO p/n 33483



VERTICAL STRAND LOCK
APOLLO p/n 33484



VERTICAL ASSY Kit
APOLLO p/n 33511



REAR GUIDE ROLLER Kit
APOLLO p/n 33466



Apollo Cable Lasher Parts Identification Guide

Contact: GMP 3111 Old Lincoln Hwy Trevose, PA 19053 USA
Tel: (215) 357-5500 Fax: (215) 357-6216
www.GMPtools.com

Note: Some Images may appear larger than they are for clarity purposes.

Apollo parts and price list_CWT_update 062917.pub
AK 6/29/2017



APOLLO LASHER MISCELLANEOUS

STORAGE AND
TRANSPORT CHEST
p/n 30780



Bridle Rope Assembly
P/N 03165



Towing Lanyard 35' Long
P/N 70190



Apollo Cable Lasher Parts Identification Guide

Contact: GMP 3111 Old Lincoln Hwy Trevose, PA 19053 USA
Tel: (215) 357-5500 Fax: (215) 357-6216
www.GMPtools.com

Note: Some Images may appear larger than they are for clarity purposes.

Apollo parts and price list_CWT_update 062917.pub
AK 6/29/2017

P/N	Item	Price
27293	Gear Housing Assembly - Apollo	
27641	Rotating Section Assy	
30780	Lasher Case - Apollo	
33446	D Shaft Kit - Apollo	
33447	Cover and Hardware - Apollo	
33448	Drag Brake Kit - Apollo	
33449	Front Bearing Ring Kit - Apollo	
33450	Front Lifter Kit - Apollo	
33451	Front Plate Bearing Kit - Apollo	
33452	Drive Shaft with Clutch Plate - Apollo	
33453	Clutch Release Handle - Apollo	
33454	LH Drive Shaft - Apollo	
33455	RH Drive Shaft - Apollo	
33456	Gear Box Mounting Hardware - Apollo	
33457	Gear Box w/Bearings - Apollo Kit - Apollo	
33458	Rotating Drum Handle Kit - Apollo	
33459	Latch Handle Kit - Apollo	
33460	Left and Right Reel Stops - Apollo	
33461	Left Hand Door Kit - Apollo	
33462	Left Hand Exit Roller Assembly - Apollo	
33463	Plunger Kit - Apollo	
33464	Rear Adaptor Kit - Apollo	
33465	Rear Bearing Ring Kit - Apollo	
33466	Rear Guide Roller Kit - Apollo	
33467	Rear Housing Guard Kit - Apollo	
33468	Rear Lifter Assembly Kit - Apollo	
33469	Rear Plate Bearing Kit - Apollo	
33470	Reel Assembly Kit - Apollo	
33471	Reel Support Kit - Apollo	
33472	RH Door Kit - Apollo	
33473	RH Exit Roller Assembly - Apollo	
33474	Ring Gear Kit - Apollo	
33475	Shaft Pivot Roller Assembly Kit - Apollo	
33476	Side Roller Assembly Kit - Apollo	
33477	Sleeve Assembly Kit - Apollo	
33478	Strand Lock Kit Top Housing - Apollo	
33479	Tension Eye Kit - Apollo	
33480	Towing Eye Kit - Apollo	
33481	Tubing Kit - Apollo	
33482	Vertical Leg Assembly Kit - Apollo	
33483	Vertical Replacement Kit - Apollo	
33484	Vertical Stand Lock Kit - Apollo	
33485	Wear Block Kit - Apollo	
33494	Top Housing - Apollo	
33495	Front Plate Assembly	
33496	Rear Plate Assembly	
33497	R.H. Housing Kit	
33498	L.H. Housing Kit	
33511	Vertical Assy. Kit	
34013	Tension Roller Assembly RH	
34014	Tension Roller Assembly LH	

Prices are subject to change without prior notice



Apollo Cable Lasher Parts Identification Guide

Contact: GMP 3111 Old Lincoln Hwy Trevose, PA 19053 USA

Tel: (215) 357-5500 Fax: (215) 357-6216

www.GMPtools.com

Note: Some Images may appear larger than they are for clarity purposes.

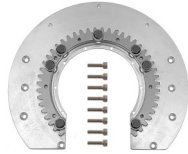
Apollo parts and price list_CWT_update 062917.pub
AK 6/29/2017

KIT COMPONENTS FRONT



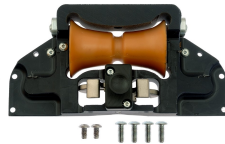
ITEM# 33447
COVER AND HARDWARE

USED IN: APOLLO FRONT
THIS KIT CONSISTS OF:
5 P/N 31525 SCAP 10-24X .63
1 P/N 31567 COVER FRONT
1 P/N 34380 LABEL



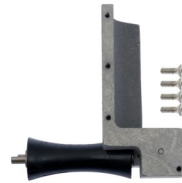
ITEM# 33495
FRONT PLATE ASSEMBLY

USED IN: APOLLO FRONT
THIS KIT CONSISTS OF:
8 P/N 27095 SCAP 6-32X .50 SK SS
1 P/N 27328 PLATE FRONT ASSY



ITEM# 33494
TOP HOUSING

USED IN: APOLLO FRONT
THIS KIT CONSIST OF:
1 P/N 30786 HOUSING
4 P/N 31524 SCAP 10-24X .38
2 P/N 31525 SCAP 10-24X .63



ITEM# 33497
R.H. HOUSING KIT

USED IN: APOLLO FRONT
THIS KIT CONSIST OF:
1 P/N 30774 HOUSING RIGHT
4 P/N 31523 SCAP 10-24X .63



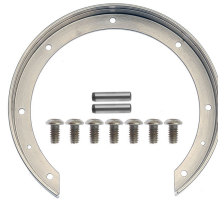
ITEM# 333498
L.H. HOUSING KIT

USED IN: APOLLO FRONT
THIS KIT CONSISTS OF:
1 P/N 27292 LEFT HOUSING
4 P/N 31523 SCAP 10-24X .63



ITEM# 33450
FRONT LIFTER KIT

USED IN: APOLLO FRONT
THIS KIT CONSISTS OF:
1 P/N 27156 AXLE LATCH
1 P/N 27157 SPACER
1 P/N 27158 SPRING LATCH
1 P/N 28400 SHAFT



ITEM# 33449
FRONT BEARING RING KIT

USED IN: APOLLO FRONT
THIS KIT CONSISTS OF:
1 P/N 26970 RING
2 P/N 27705 PIN 1/8 X 1/2
7 P/N 31524 SCAP 10-24X .38



ITEM# 33459
LATCH AND HANDLE KIT

USED IN: APOLLO FRONT
THIS KIT CONSISTS OF:
1 P/N 27086 SPRING
1 P/N 27159 LATCH FRT END
1 P/N 27164 HANDLE LATCH



ITEM# 33476
SIDE ROLLER ASSY KIT

USED IN: APOLLO FRONT
THIS KIT CONSISTS OF:
1 P/N 27153 AXLE
1 P/N 27291 ROLLER ASSY
2 P/N 30720 WASHER



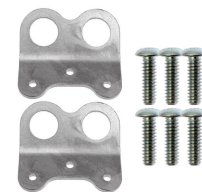
ITEM# 33477
SLEEVE ASSY KIT

USED IN: APOLLO FRONT
THIS KIT CONSISTS OF:
1 P/N 27460 AXLE CLUTCH
1 P/N 27461 ROLLER
2 P/N 27477 WA .321 FLT
1 P/N 29112 SLEEVE ASSY
1 P/N 31524 SCAP 10-24X .38



ITEM# 33478
STRAND LOCK KIT TOP HOUSING

USED IN: APOLLO FRONT
1 P/N 27081 SPRING
1 P/N 27084 SPRING
1 P/N 27161 PLATE COVER
1 P/N 31517 PLUNGER
2 P/N 31525 SCAP 10-24X .63
1 P/N 31528 STRAND LOCK AXLE
1 P/N 31530 KNOB
1 P/N 31559 PIVOT LOCK LH
1 P/N 31561 PIVOT LOCK RH



ITEM# 33480
TOWING EYE

USED IN: APOLLO FRONT
2 P/N 27170 BRACKET
2 P/N 31525 SCAP 10-24X .63



ITEM# 33485
WEAR BLOCK

USED IN: APOLLO FRONT
1 P/N 28492 SPACER RH ROLLER
1 P/N 28493 SPACER LH ROLLER
4 P/N 31525 SCAP 10-24X .63



Apollo Cable Lasher Parts Identification Guide

Contact: GMP 3111 Old Lincoln Hwy Trevose, PA 19053 USA
Tel: (215) 357-5500 Fax: (215) 357-6216
www.GMPtools.com

Note: Some Images may appear larger than they are for clarity purposes.

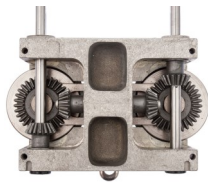
Apollo parts and price list_CWT_update 062917.pub
AK 6/29/2017

KIT COMPONENTS CENTER



ITEM# 27641
ROTATING SECTION

Note: All the parts in this unit are machined as an assembly and cannot be bought separately.



ITEM# 27293
GEAR HOUSING ASSY

USED IN: APOLLO CENTER

THIS KIT CONSISTS OF:

- 1 P/N 03959 PIN ROLL
- 1 P/N 26944 AXLE
- 1 P/N 26946 HANDLE CLUTCH
- 1 P/N 26947 PLATE CLUTCH
- 1 P/N 26948 SHAFT
- 2 P/N 26949 SCREW
- 1 P/N 26960 SCREW CLUTCH
- 1 P/N 26961 SUPPORT
- 2 P/N 26984 WA END
- 1 P/N 27088 SPRING WAVE
- 1 P/N 27121 SHAFT
- 1 P/N 27122 SHAFT
- 3 P/N 27205 KEY
- 6 P/N 27212 BEARING

- 4 P/N 27213 WA THRUST
- 1 P/N 27214 WA THRUST
- 1 P/N 27216 KEY WOODRUFF
- 4 P/N 27249 GEAR PINION
- 2 P/N 27294 GEAR ASSY
- 1 P/N 27296 WHEEL ASSY
- 1 P/N 27450 AXLE
- 1 P/N 27476 WA GEAR BOX
- 1 P/N 27486 SPRING WAVE
- 1 P/N 27488 WHEEL ASSY
- 1 P/N 28495 GEARBOX
- 3 P/N 30724 WA 10 FLT
- 2 P/N 31522 SCAP 10-24X0.38
- 5 P/N 31524 SCAP 10-24X .38
- 2 P/N 31525 SCAP 10-24X .63



ITEM# 33448
DRAG BRAKE KIT

USED IN: APOLLO CNTR

THIS KIT CONSISTS OF:

- 2 P/N 30684 BRAKE ASSY

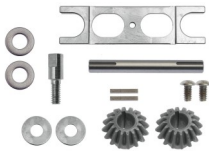


ITEM# 33451
FRONT PLATE BEARING KIT

USED IN: APOLLO FRONT

THIS KIT CONSISTS OF:

- 7 P/N 26981 SPACER
- 7 P/N 27069 SCREW ECC
- 7 P/N 27209 BEARING BALL
- 7 P/N 31013 NT 10-32 HX ST



ITEM# 33452
DRIVE SHAFT W/CLUTCH

USED IN: APOLLO CENTER

THIS KIT CONSISTS OF:

- 1 P/N 26947 PLATE CLUTCH
- 1 P/N 26948 SHAFT
- 1 P/N 26960 SCREW CLUTCH
- 2 P/N 27205 KEY .093-.091 SQ
- 2 P/N 27213 WA THRUST
- 2 P/N 27249 GEAR PINION
- 2 P/N 30724 WA 10 FLT
- 2 P/N 31524 10-24X .38 BT ST



ITEM# 33453
CLUTCH RELEASE HANDLE

USED IN: APOLLO CENTER

THIS KIT CONSISTS OF:

- 1 P/N 03959 PIN ROLL 51 028 125 1125
- 1 P/N 26946 HANDLE CLUTCH
- 1 P/N 26961 SUPPORT 1 P/N 30724 WA 10 FLT SS
- 3 P/N 31524 SCAP 10-24X .38



ITEM# 33454
L.H. DRIVE SHAFT

USED IN: APOLLO CENTER

THIS KIT CONSISTS OF:

- 1 P/N 26949 SCREW
- 1 P/N 26978 PINION
- 1 P/N 26984 WA END
- 1 P/N 27122 SHAFT
- 1 P/N 27210 BUSH
- 1 P/N 27213 WA THRUST
- 1 P/N 27216 KEY WOODRUFF
- 1 P/N 27235 WA SPACER
- 1 P/N 27249 GEAR PINION
- 1 P/N 27294 GEAR ASSY BEV
- 1 P/N 27450 AXLE W/SQ STEP
- 1 P/N 27476 WA GEAR BOX
- 1 P/N 27486 SPRING WAVE
- 1 P/N 27488 WHEEL ASSY
- 1 P/N 31522 SCAP 10-24X0.38
- 1 P/N 31525 SCAP 10-24X .63



ITEM# 33455
R.H. DRIVE SHAFT

USED IN: APOLAPOLLO CENTER

THIS KIT CONSISTS OF:

- 1 P/N 26944 AXLE
- 1 P/N 26949 SCREW
- 1 P/N 26978 PINION
- 1 P/N 26984 WA END
- 1 P/N 27088 SPRING WAVE
- 1 P/N 27121 SHAFT
- 1 P/N 27205 KEY .093-.091 SQ
- 1 P/N 27210 BUSH
- 1 P/N 27213 WA THRUST
- 1 P/N 27214 WA THRUST
- 1 P/N 27235 WA SPACER
- 1 P/N 27249 GEAR PINION
- 1 P/N 27294 GEAR ASSY BEV
- 1 P/N 27296 WHEEL ASSY
- 1 P/N 31522 SCAP 10-24X0.38
- 1 P/N 31525 SCAP 10-24X .63



ITEM# 33458
ROTATING DRUM HANDLE

USED IN: APOLLO CENTER

THIS KIT CONSISTS OF:

- 1 P/N 27026 HANDLE
- 4 P/N 31525 SCAP 10-24X .63

ITEM# 33456
GEAR BOX MOUNTING HW

USED IN: APOLLO CENTER

THIS KIT CONSISTS OF:

- 2 P/N 26985 KEY
- 4 P/N 27096 SCAP 10-24X3.00
- 2 P/N 31525 SCAP 10-24X .63

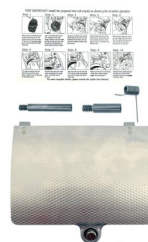


ITEM# 33460
L.H. & R.H. REEL STOPS

USED IN: APOLLO CENTER

THIS KIT CONSISTS OF:

- 1 P/N 27276 REEL STOP LH
- 1 P/N 27277 REEL STOP RH
- 2 P/N 30698 SPRING
- 2 P/N 30699 SSSD 1/4 D 3/8 LG



ITEM# 33461
L.H. DOOR KIT

USED IN: APOLLO CENTER

THIS KIT CONSISTS OF:

- 1 P/N 27312 DOOR ASSY LEFT
- 1 P/N 27318 SPRING LH
- 1 P/N 27442 LABEL WIRE
- 1 P/N 30572 PIN HINGE REAR
- 1 P/N 30573 PIN HINGE FRNT



ITEM# 33472
R.H. DOOR KIT

USED IN: APOLLO CENTER

THIS KIT CONSISTS OF:

- 1 P/N 27313 DOOR ASSY RIGHT
- 1 P/N 27319 SPRING RH DOOR
- 1 P/N 27442 LABEL WIRE
- 1 P/N 30572 PIN HINGE REAR
- 1 P/N 30573 PIN HINGE FRONT



Apollo Cable Lasher Parts Identification Guide

Contact: GMP 3111 Old Lincoln Hwy Trevose, PA 19053 USA

Tel: (215) 357-5500 Fax: (215) 357-6216

www.GMPtools.com

Note: Some Images may appear larger than they are for clarity purposes.

Apollo parts and price list_CWT_update 062917.pub
AK 6/29/2017

KIT COMPONENTS CENTER



ITEM# 33467
REAR HOUSING GUARD KIT

USED IN: APOLLO CENTER
THIS KIT CONSISTS OF:
1 P/N 27172 GUARD REAR
2 P/N 31524 SCAP 10-24X .38



ITEM# 33470
REEL ASSEMBLY KIT

USED IN: APOLLO CENTER
THIS KIT CONSISTS OF:
1 P/N 16175 RING RETAINING
2 P/N 26957 SPACER REEL
1 P/N 27127 REEL ASSEMBLY
1 P/N 27520 SSET 1/4-20X5/16
1 P/N 31564 COVER REEL



ITEM# 33471
REEL SUPPORT KIT

USED IN: APOLLO CENTER
THIS KIT CONSISTS OF:
2 P/N 27298 REEL & SLEEVE
8 P/N 31524 SCAP 10-24X .38



ITEM# 33479
TENSION EYE KIT

USED IN: APOLLO CENTER
THIS KIT CONSISTS OF:
2 P/N 27301 BEARING TENSIONING ROLLER
2 P/N 27306 SHAFT UPPER TENSION ROLLER
2 P/N 27324 PIN TENSIONER APOLLO
2 P/N 32869 ROLLER TENSION LOWER ASSEMBLY



ITEM# 33481
TUBING KIT

USED IN: APOLLO CENTER
THIS KIT CONSISTS OF:
1 P/N 26975 TUBE
16 P/N 27095 SCAP 6-32X.5



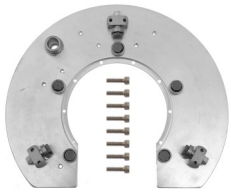
Apollo Cable Lasher Parts Identification Guide

Contact: GMP 3111 Old Lincoln Hwy Trevose, PA 19053 USA
Tel: (215) 357-5500 Fax: (215) 357-6216
www.GMPtools.com

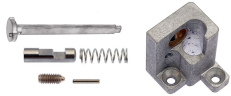
Note: Some Images may appear larger than they are for clarity purposes.

Apollo parts and price list_CWT_update 062917.pub
AK 6/29/2017

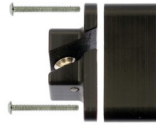
KIT COMPONENTS REAR



ITEM# 33496
REAR PLATE ASSEMBLY
USED IN: APOLLO REAR
THIS KIT CONSISTS OF:
 8 P/N 27095 SCAP 6-32X .50 A
 1 P/N 27329 PLATE REAR ASSY



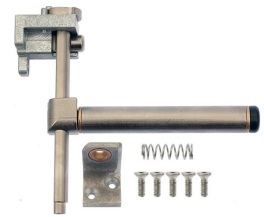
ITEM# 33446
D SHAFT KIT
USED IN: APOLLO REAR
THIS KIT CONSISTS OF:
 1 P/N 02037 PIN ROLL
 1 P/N 30569 SPRING
 1 P/N 30710 SHAFT 'D'
 1 P/N 30711 SUPPORT
 1 P/N 30729 SPRING
 1 P/N 31520 D SHAFT



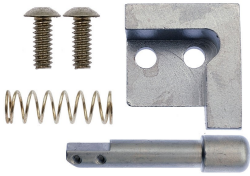
ITEM# 33462
L.H. EXIT ROLLER
USED IN: APOLLO REAR
THIS KIT CONSISTS OF:
 1 P/N 29179 SPACER
 2 P/N 29182 10-24X1.75
 1 P/N 29185 EXIT ROLLER



ITEM# 33473
R.H. EXIT ROLLER
USED IN: APOLLO REAR
THIS KIT CONSISTS OF:
 1 P/N 29180 SPACER
 2 P/N 29182 10-24X1.75
 1 P/N 29186 EXIT ROLLER



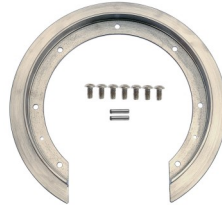
ITEM# 33468
REAR LIFTER ASSEMBLY
USED IN: APOLLO REAR
THIS KIT CONSISTS OF:
 1 P/N 02037 PIN ROLL
 2 P/N 27077 BEARING OILITE
 1 P/N 27082 SPRING
 1 P/N 28670 SHAFT PIVOT
 1 P/N 30670 ROLLER CAP
 1 P/N 30673 ADJ LEVER
 1 P/N 30674 LOWER ROLLER
 1 P/N 30710 SHAFT 'D'
 1 P/N 30711 SHAFT UPPER D
 1 P/N 30729 SPRING
 1 P/N 30740 LOWER SHAFT
 1 P/N 31520 LOCK D SHAFT
 5 P/N 31523 SCAP 10-24X .63



ITEM# 33463
PLUNGER KIT
USED IN: APOLLO REAR
THIS KIT CONSISTS OF:
 1 P/N 27083 SPRING
 2 P/N 27092 SCAP 6-32X .38
 1 P/N 30667 PLUNGER PIN
 1 P/N 30704 LOCK BRACKET



ITEM# 33464
REAR ADAPTOR KIT
USED IN: APOLLO REAR
THIS KIT CONSISTS OF:
 1 P/N 27405 LABEL
 1 P/N 29181 ADAPTER REAR
 6 P/N 31525 SCAP 10-24X .63



ITEM# 33465
REAR BEARING RING KIT
USED IN: APOLLO REAR
THIS KIT CONSISTS OF:
 1 P/N 26969 RING
 2 P/N 27705 PIN DOWEL
 7 P/N 31524 SCAP 10-24X .38



ITEM# 33482
VERTICAL LEG ASSY
USED IN: APOLLO REAR
THIS KIT CONSISTS OF:
 2 P/N 30705 REAR VERTICAL 2 P/N
 30724 WA 10 FLT SS .438 X 04
 2 P/N 30736 REAR VERTICAL
 2 P/N 31524 SCAP 10-24X .38

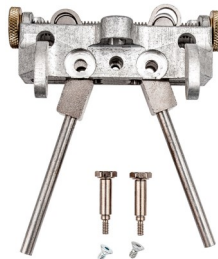


ITEM# 33474
RING GEAR KIT
USED IN: APOLLO REAR
THIS KIT CONSISTS OF:
 1 P/N 26971 RING GEAR
 8 P/N 31524 SCAP 10-24X .38 BT



ITEM# 33475
SHAFT PIVOT ROLLER
USED IN: APOLLO REAR
THIS KIT CONSISTS OF:
 1 P/N 27082 SPRING
 1 P/N 28670 SHAFT PIVOT
 1 P/N 30670 REAR ROLLER CAP
 1 P/N 30673 ADJUSTING LEVER
 1 P/N 30738 LOWER ROLLER
 1 P/N 31523 SCAP 10-24X .63 FL

ITEM# 33469
REAR PLATE BEARING KIT
USED IN: APOLLO REAR
THIS KIT CONSISTS OF:
 5 P/N 26962 SCREW ECCENTRIC
 3 P/N 26968 SUPPORT BEARING
 8 P/N 26981 SPACER
 3 P/N 27069 SCREW ECCENTRIC
 8 P/N 27209 BEARING BALL
 1 P/N 30709 PLUNGER GUIDE
 8 P/N 31013 NT 10-32 HX 6 P/N
 31524 SCAP 10-24X .38 BT ST



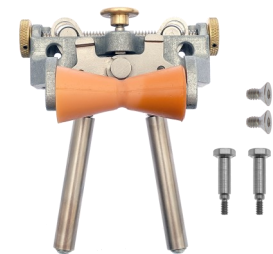
ITEM# 33483
VERTICAL REPLACEMENT KIT
USED IN: APOLLO REAR
THIS KIT CONSISTS OF:
 2 P/N 02057 KNOB KNURL LASHER
 2 P/N 09131 PIN ROLL 59 028 125 1000
 2 P/N 27307 SHAFT SWING ROLLER
 2 P/N 30675 BOLT SHOULDER SHORT
 1 P/N 30701 TRUNNION RIGHT HAND
 1 P/N 30702 TRUNNION LEFT HAND
 1 P/N 30707 ADJUSTING SHAFT
 1 P/N 30712 BRACKET MOUNTING
 2 P/N 31522 SCAP 10-24X0.38



ITEM# 33466
REAR GUIDE ROLLER KIT
USED IN: APOLLO REAR
THIS KIT CONSISTS OF:
 1 P/N 30720 SHAFT REAR ROLLER
 2 P/N 30726 WA 312 FLAT
 1 P/N 30735 REAR GUIDE ROLLER
 2 P/N 31524 SCAP 10-24X .38



ITEM# 33484
VERTICAL STRAND LOCK KIT
USED IN: APOLLO REAR
THIS KIT CONSISTS OF:
 1 P/N 27081 SPRING
 1 P/N 27084 SPRING
 1 P/N 27493 KNOB REAR BRASS
 1 P/N 31517 PLUNGER LARGE
 1 P/N 31521 STRAND LOCK SHLDR
 1 P/N 31559 PIVOT LOCK LH
 1 P/N 31561 PIVOT LOCK RH



ITEM# 33511
VERTICAL ASSEMBLY KIT
USED IN: APOLLO REAR
THIS KIT CONSISTS OF:
 1 P/N 27343 VERTICAL ASSY
 1 P/N 30735 REAR GUIDE ROLLER
 2 P/N 31524 10-24X3/8 BH
 1 P/N 30720 SHAFT
 2 P/N 30726 .312 WASHER
 2 P/N 30675 SHOULDER BOLT
 2 P/N 31522 10-24X3/8 FH



Apollo Cable Lasher Parts Identification Guide

Contact: GMP 3111 Old Lincoln Hwy Trevose, PA 19053 USA
 Tel: (215) 357-5500 Fax: (215) 357-6216
 www.GMPtools.com

Note: Some Images may appear larger than they are for clarity purposes.

Apollo parts and price list_CWT_update 062917.pub
 AK 6/29/2017

