

JETSTREAM/HURRICANE CASE PNEUMATIC WHEEL INSTALLATION

LARGE WHEEL KIT FOR GMP JETSTEAM AND HURRICANE TRANSPORT CASES

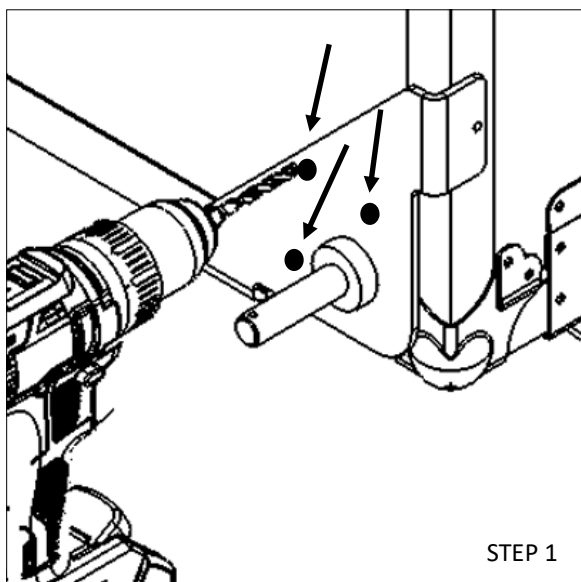
PART NUMBER 38001



a **KLEIN TOOLS**® company

GENERAL MACHINE PRODUCTS (KT), LLC
3111 OLD LINCOLN HWY
TREVOSÉ, PA 19053

GMPTOOLS.COM 215-357-5500



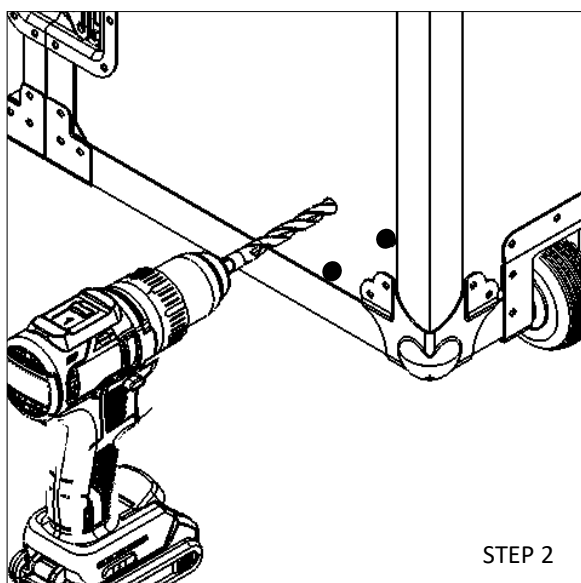
STEP 1

STEP 1

PLACE BRACKET ON CORNER OF CASE
ADJACENT TO EXISTING SMALL WHEELS.

ALIGN FLAT TABS OF BRACKET AGAINST THE
ALUMINUM CORNER RAILS. HOLD BRACKET IN
PLACE AND WHILE USING THE SMALLER
SUPPLIED DRILLBIT, DRILL (3) .196 DIA. PILOT
HOLES 1" DEEP USING THE HOLES IN THE
BRACKET AS A GUIDE.

REPEAT ON OTHER SIDE.

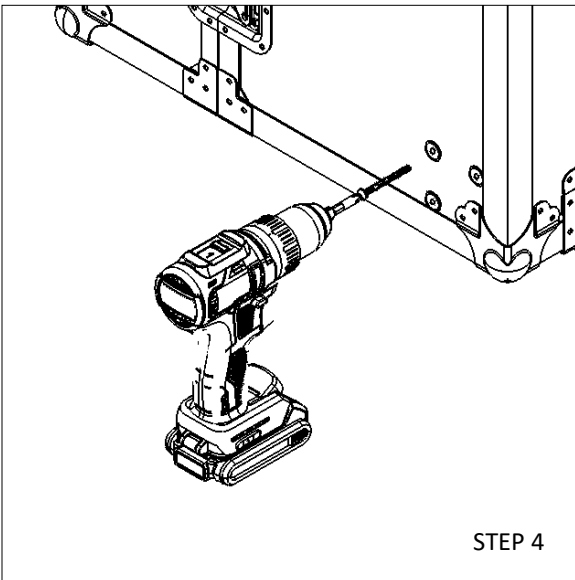


STEP 2

STEP 2

REMOVE BRACKETS. USING THE .196 DIA.
HOLES AS A GUIDE, DRILL 3/8" DIA. HOLE
2-1/4" DEEP 3 PLACES EACH SIDE.

JETSTREAM/HURRICANE CASE PNEUMATIC WHEEL INSTALLATION



STEP 4

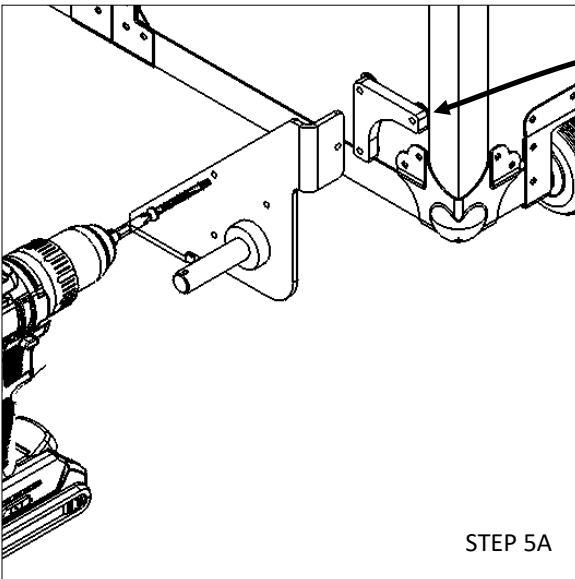
STEP 4:

INSERT THE 3 EXPANSION ANCHORS INTO 3/8" DIA. HOLES UNTIL FLUSH.

USING A CORDLESS DRILL WITH THE CLUTCH SET TO LIGHT, INSERT THE SCREW INTO THE ANCHOR UNTIL THE SCREW IS TIGHT. THIS WILL EXPAND THE ANCHOR.

REMOVE THE SCREW AND REPEAT ON THE OTHER 2 ANCHORS.

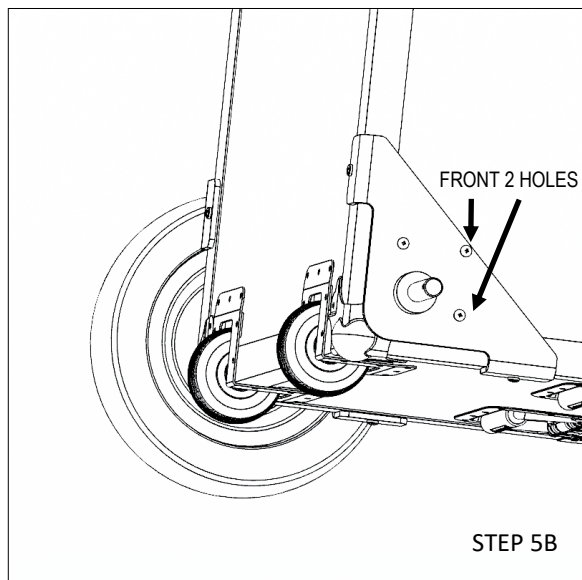
REPEAT OTHER SIDE.



STEP 5A

STEP 5A

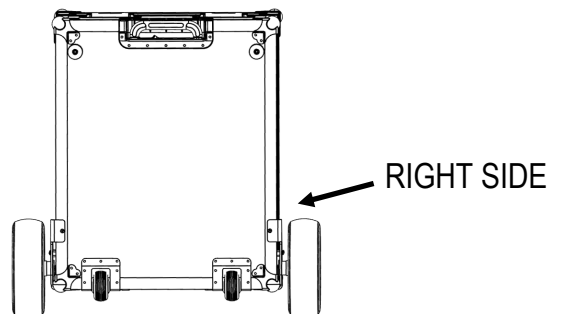
PLACE THE **BRACKET SPACER** AND BRACKET ONTO THE CASE ALIGNING THE THREE HOLES IN THE BRACKET SPACER AND BRACKET WITH THE EXPANSION ANCHORS. INSERT THE EXPANSION ANCHOR SCREWS AND LOCK WASHERS INTO THE EXPANSION ANCHORS AND TIGHTEN THE 3 SCREWS ON THE BRACKET. BE CAREFUL TO NOT OVER-TORQUE THE SCREWS. USE A CLUTCH SETTING OF 6 OR 7 ON YOUR CORDLESS DRILL. REPEAT ON OTHER SIDE.



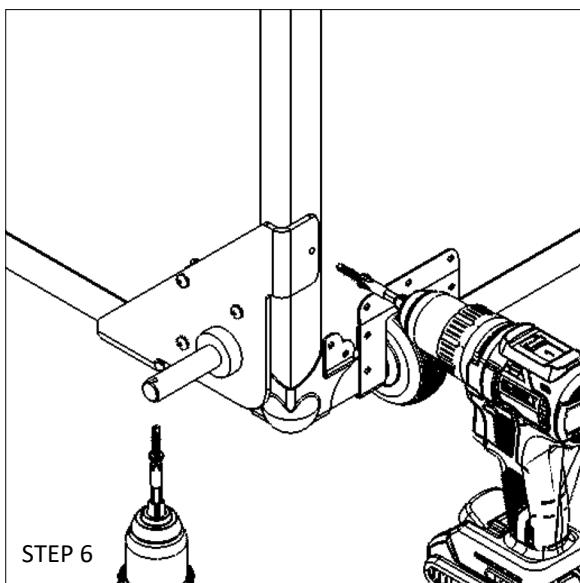
STEP 5B

STEP 5B (HURRICANE RIGHT SIDE ONLY)

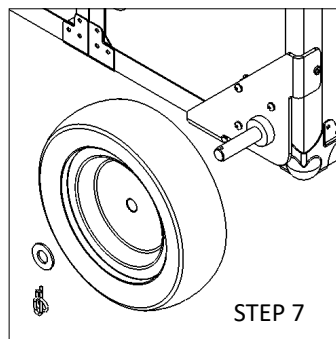
USE THE SHORTER MOUNTING SCREWS ON THE FRONT 2 HOLES OF THE RIGHT BRACKET FOR CLEARANCE INSIDE THE CASE.



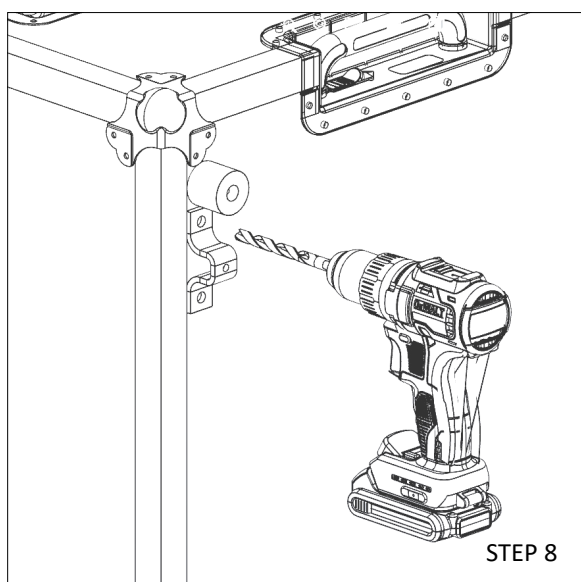
JETSTREAM/HURRICANE CASE PNEUMATIC WHEEL INSTALLATION



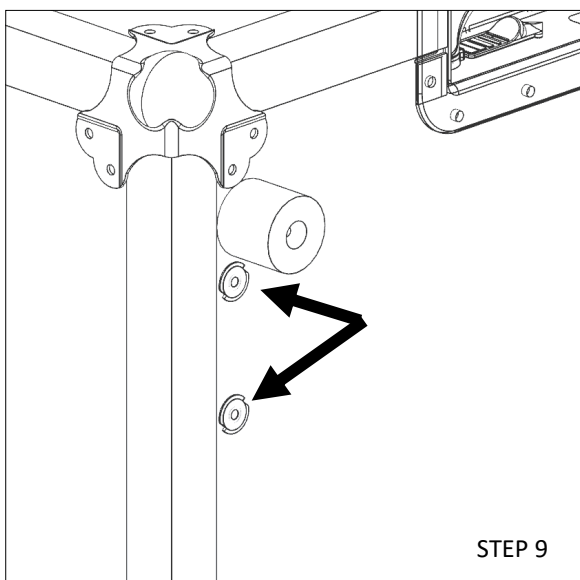
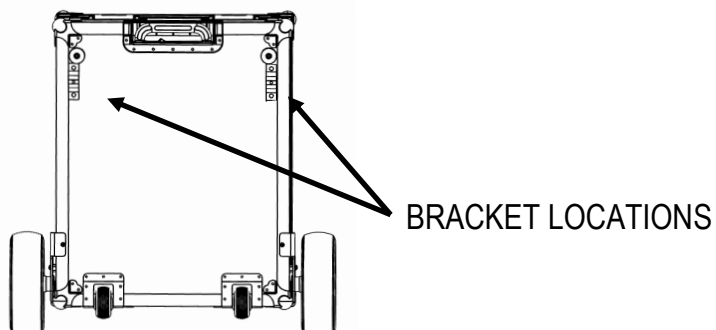
STEP 6
SECURE THE TABS OF THE BRACKET TO THE CORNER RAILS USING THE SUPPLIED SELF TAPPING SHEET METAL SCREWS. ONE SCREW IN EACH TAB. REPEAT ON OTHER SIDE.



STEP 7
PLACE THE WHEELS ON THE AXELS AND RETAIN WITH A FLAT WASHER AND LOCKING HAIR PIN CLIP.

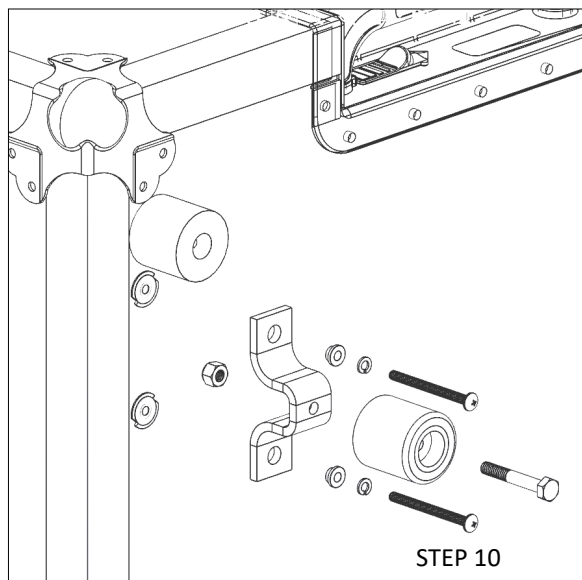


STEP 8
USING THE BRACKET AS A TEMPLATE, PLACE IT DIRECTLY UNDER THE EXISTING FOOT. MARK AND DRILL TWO 3/8" HOLES FOR THE ANCHORS. REPEAT ON OTHER SIDE.



STEP 9
INSERT THE EXPANSION ANCHORS IN THE 4 DRILLED HOLES

JETSTREAM/HURRICANE CASE PNEUMATIC WHEEL INSTALLATION



STEP 10

1. ATTACH NEW FOOT WITH BOLT AND NUT TO BRACKET.
2. ATTACH EACH BRACKET WITH 2 SCREWS, 2 LOCK WASHERS AND 2 BUSHINGS.
3. USING A CORDLESS DRILL WITH THE CLUTCH SET TO LIGHT, INSERT THE SCREW INTO THE ANCHOR UNTIL THE SCREW IS TIGHT. THIS WILL EXPAND THE ANCHOR
4. REPEAT ON OTHER SIDE.