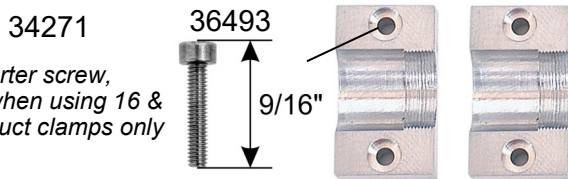
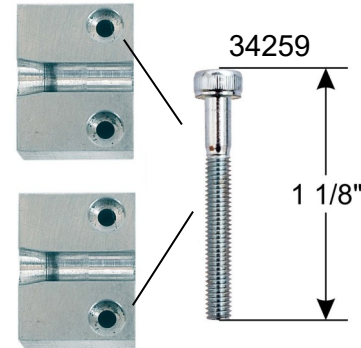
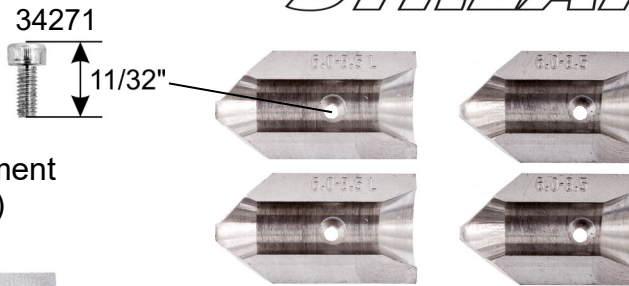
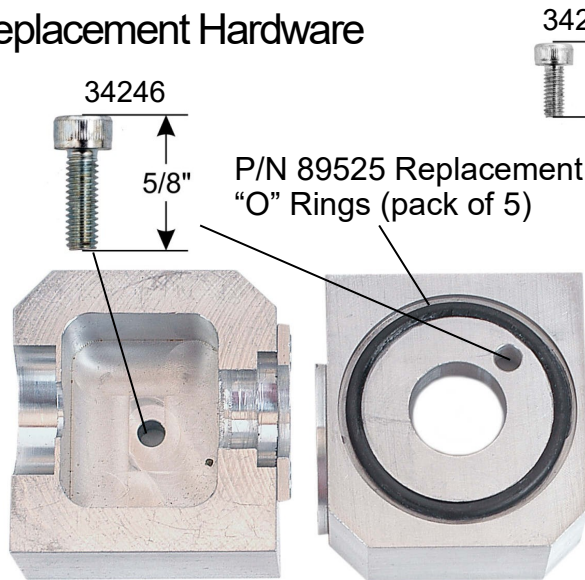


AirStream Replacement Parts



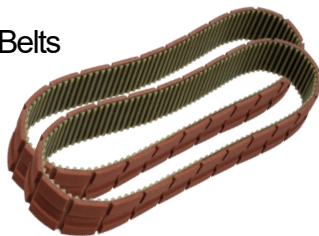
Replacement Hardware



Use shorter screw, 32923 when using 16 & 18mm duct clamps only

- Spare Fasteners Kit P/N 74156**
Includes:
(2) 34246
(4) 34259
(4) 34271
(4) 36493

Replacement Cable Belts P/N 30952 / Pair



- 7 A Fuses - P/N 30936
315 mA Fuses - P/N 89593
Motor Drive Belt - P/N 34742



CABLE SEAL (PACK OF 5)	
89510	CABLE SEAL 2.5 TO 3.0 mm
89511	CABLE SEAL 3.0 TO 3.8 mm
89512	CABLE SEAL 3.8 TO 5.0 mm
89513	CABLE SEAL 5.0 TO 6.4 mm
89514	CABLE SEAL 6.4 TO 8.0 mm
89516	CABLE SEAL 8.0 TO 9.5 mm
89517	CABLE SEAL 9.5 TO 11.0 mm



TUBE SEAL O RING (PACK OF 5)	
89549	TUBE SEAL 05 mm
89553	TUBE SEAL 07 mm
89550	TUBE SEAL 08 - 8.5mm
89551	TUBE SEAL 10 mm
89552	TUBE SEAL 12 - 12.7 mm
89555	TUBE SEAL 14 mm
89554	TUBE SEAL 16 mm
89558	TUBE SEAL 18 mm



P/N 33846 Replacement Power Supply



P/N 34819 Replacement Programed Mother Board



General Machine Products (KT), LLC 3111 Old Lincoln Highway Trevose, PA 19053 USA
Tel: +1.215.357.5500 Fax: +1.215.357.6216 Email: info@GMPtools.com Web: www.gmptools.com