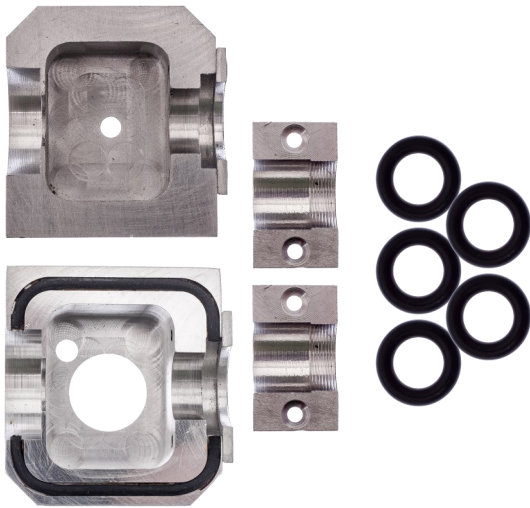
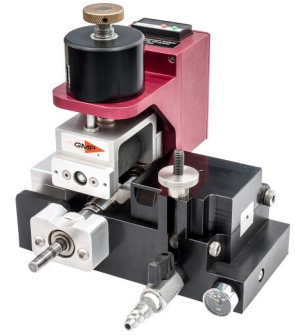


GMP GENTLE AIR Configuration

In order to customize your new "Gentle Air" to your application, we ask that you pick, one each from the lists below, the Tube Collet Assembly P/N and the Cable Seal Collet Assembly P/N. When ordering, please have Tube and Cable dimensions available.



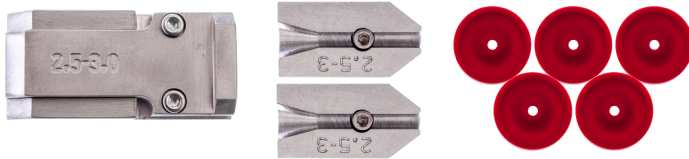
TUBE COLLET AND CLAMP ASSEMBLIES

89918	4mm O.D.
89919	5mm O.D.
89926	7mm O.D.
89927	8mm O.D.
89920	8.5mm O.D.

SPARE TUBE SEAL O RING (5 Pack)

89556	4mm
89549	5mm
89553	7mm
89550	8mm
89550	8.5mm

Call factory for other sizes and configurations



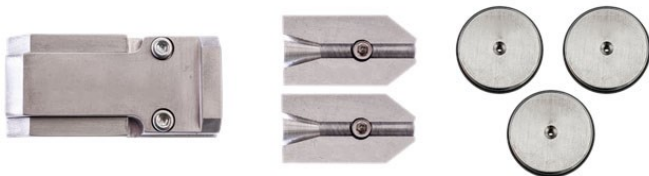
CABLE SEAL COLLET ASSEMBLY

89898	2.0 - 2.5mm
89899	2.5 - 3.0mm

SPARE CABLE SEAL

89509	2.0 - 2.5mm
89510	2.5 - 3.0mm

*Spare Plastic Seals - Sold in Pk of 5
89509, 89510*



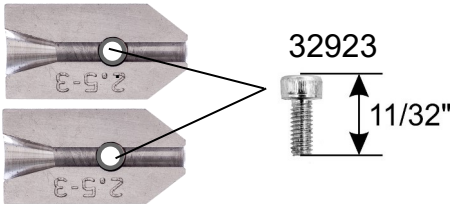
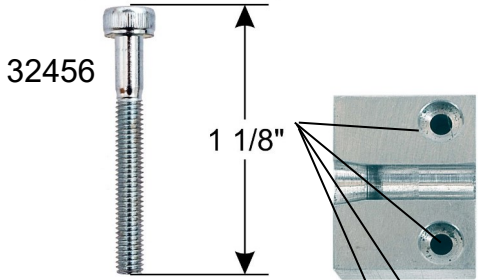
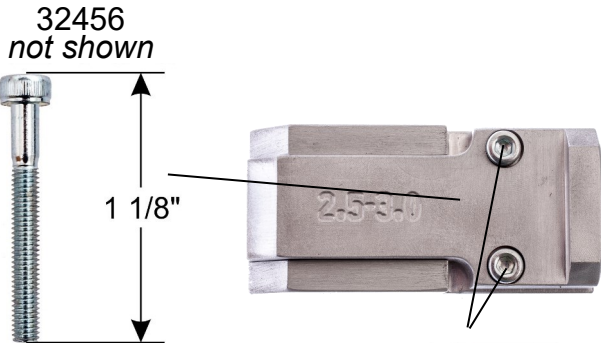
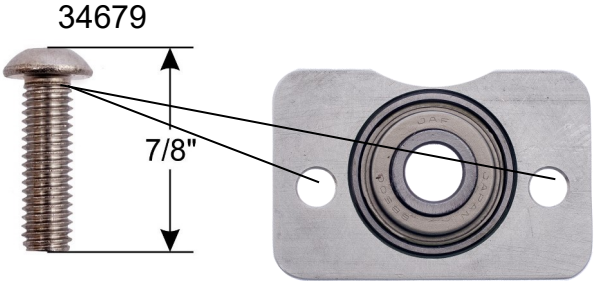
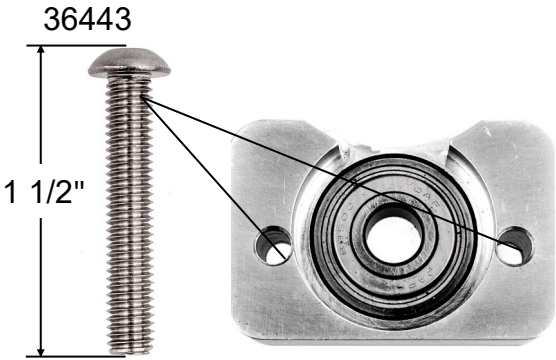
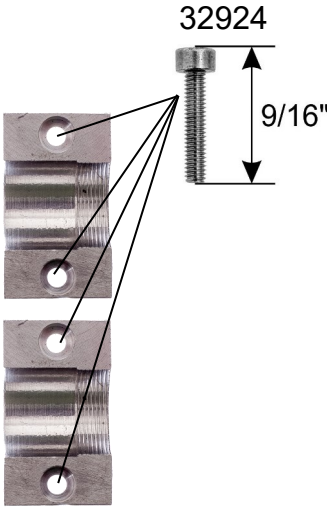
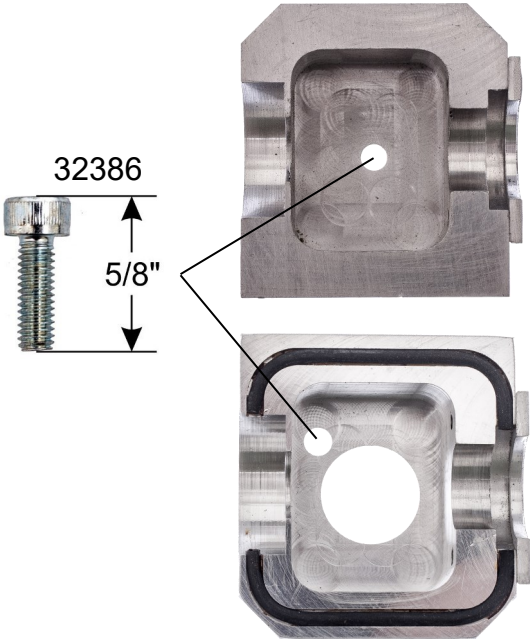
89929	1.0 - 2.0mm
-------	-------------

33087	1.1mm \varnothing
33043	1.6mm \varnothing
33425	2.0mm \varnothing

*Spare Solid Seals - Sold individually
33087, 33043, 33425*

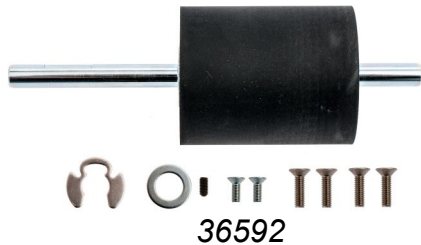
GMP Gentle Air Configuration

Replacement Hardware



Recommended spares list

1. Tube Seals - See appendix 1
 2. Cable Seals- See appendix 1
 3. Airbox Top Seal P/N 89525 (5 Pack)
 4. Drive Roller - 36573
 5. Lubricant - 89568 (Polywater, 6 bottles per case)
 6. Seal Cord - 89691
 6. 9V Lithium Batteries - 30069 (pair)
 7. Replacement Top Roller Kit - 36592
- note:** 36592 is for unit with pickup wheel only.
Call the factory if you have an encoder model.



GMP Gentle Air Tool Kit



For spare parts always quote the machine type and serial number and contact:
General Machine Products (KT), LLC
 3111 Old Lincoln Highway, Trevose PA 19053 USA
 TEL: +1 215 357 5500 FAX: +1 215 357 6216 Website: www.GMPtools.com



Gentle Air Optional Accessories

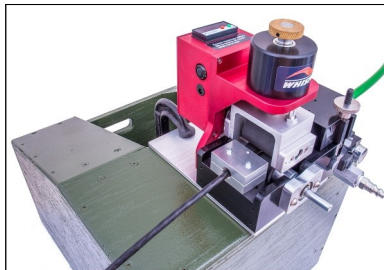
Bottled Nitrogen Kit
P/N 89742
Weight: 4.5 lbs. (2 kgs)



Whisper Air Hose
P/N 89949
Weight: 2 lbs. (.9 kgs)



Mounting Plate
P/N 89947
Weight: 1 lbs. (.45 kgs)



Whisper Tripod Mounting Kit

- Lightweight and durable
- Positive locking clamps
- Made of space-age aluminum alloy
- Flat Head design
- Easy Setup
- Built in shoulder strap
- Folds for storage
- Max work height 63" (160 cm)

P/N 89945 Weight: 9 lbs. (4.1 kgs)



Drill Stand

This option helps support the drill for long fiber blows. Attaches to the tripod and fully

P/N 89948 Weight: 2 lbs. (.90 kgs)



Air Compressor

The Air Compressor is designed specifically for use with our Micro Fiber Cable Blowing Machines. This reliable & efficient screw compressor, powered by a gasoline engine, provides a maximum working pressure of 220 psi (15 bar) with 35.3cfm (1000 litres/m) flow.

Engine: Honda 21 hp
Fuel Cap.: 5 gal (20 liters)
Length: 42" (1070 mm)
Width: 31" (800 mm)
Height: 30" (780 mm)
Weight: 487 lbs. (221 kg)

P/N 89011 Weight: 487 lbs. (221 kgs)

