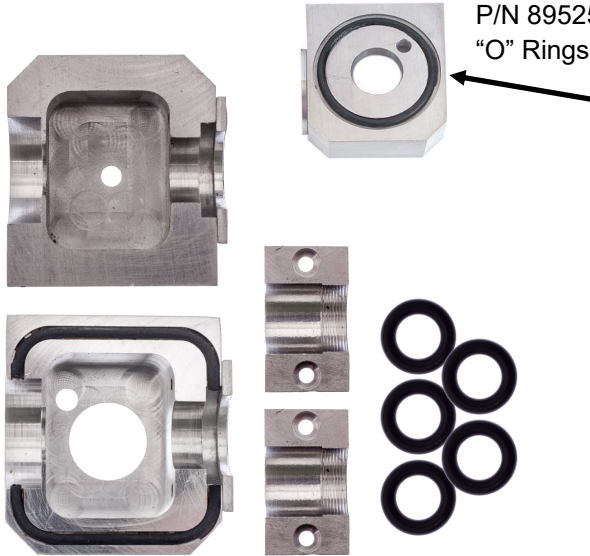


# GMP Whisper Configuration

For Round Fiber P/N 89910

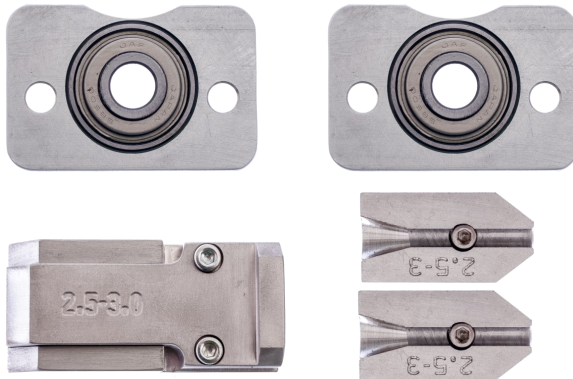


In order to customize your new "Whisper" to your application, we ask that you pick, one each from the lists below, the Tube Collet Assembly P/N and the Cable Seal Collet Assembly P/N. When ordering, please have Tube and Cable dimensions available.



## TUBE COLLET AND CLAMP ASSEMBLIES

P/N	Tube O.D	Duct Seals
89545	4 mm	89556 (5 pack)
89539	5 mm	89549 (5 pack)
89546	6 mm	89557 (5 pack)
89547	7 mm	89553 (5 pack)
89540	8 mm	89550 (5 pack)
89537	8.5 mm	89550 (5 pack)
89541	10 mm	89551 (5 pack)
89542	12 mm	89552 (5 pack)
89543	12.7 mm	89552 (5 pack)
89538	14 mm	89555 (5 pack)
89544	16 mm	89554 (5 pack)
89536	18 mm	89558 (5pack)



## CABLE SEAL COLLET ASSEMBLY

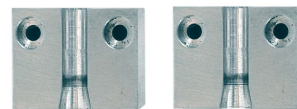
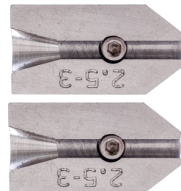
89932	3.0 - 3.8mm
89933	3.8 - 5.0mm
89934	5.0 - 6.4mm
89935	6.4 - 8.5mm

## SPARE CABLE SEAL (5 Pack)

89511	3.0 - 3.8mm
89512	3.8 - 5.0mm
89513	5.0 - 6.4mm
89514	6.4 - 8.0mm
89515	8.0 - 8.5mm



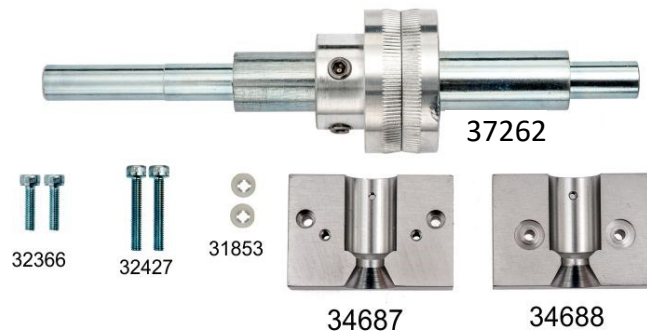
used with 89930, 89931  
89932 and 89933



used with 89934 and 89935



## INFEED DRIVE ROLLER KIT FOR WHISPER



- 31853 WASHER RETAINING 3MM NYLON
- 32366 SCAP M3X12
- 32427 SCAP M3X20
- 34687 GUIDE INFEED FIXED F/WHSPR
- 34688 GUIDE INFEED REMOVABLE WHSP
- 36319 ROLLER DRIVE ALUM KNURLED

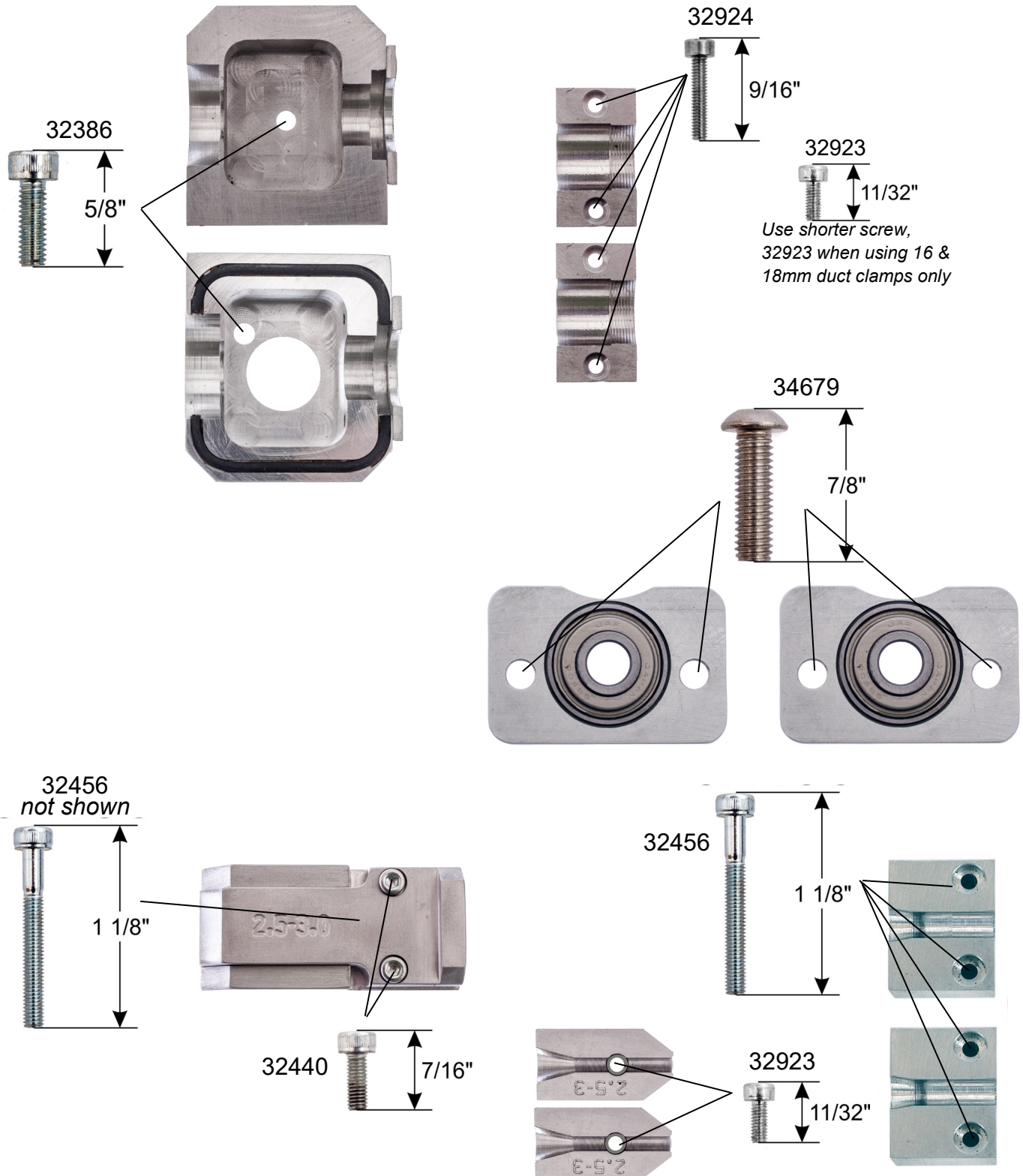


General Machine Products (KT), LLC 3111 Old Lincoln Highway Trevose, PA 19053 USA

Tel: +1.215.357.5500 Fax: +1.215.357.6216 Email: info@GMPtools.com

# GMP Whisper Configuration

## Replacement Hardware



General Machine Products (KT), LLC 3111 Old Lincoln Highway Trevose, PA 19053 USA

Tel: +1.215.357.5500 Fax: +1.215.357.6216 Email: info@GMPtools.com

# GMP Whisper Tool Kit



32906



89691



36079

89588



30069

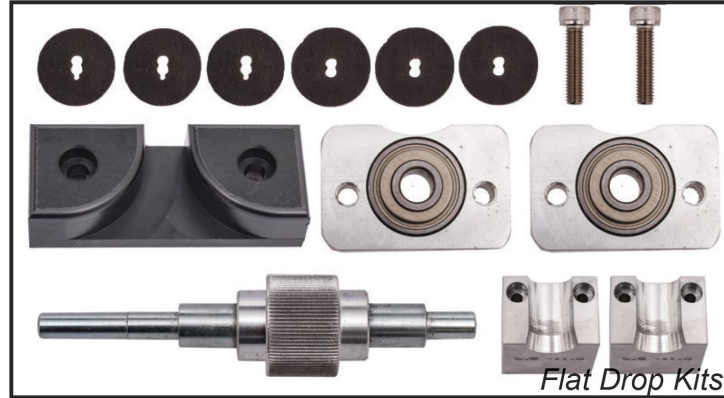


34757



General Machine Products (KT), LLC 3111 Old Lincoln Highway Trevose, PA 19053 USA  
Tel: +1.215.357.5500 Fax: +1.215.357.6216 Email: info@GMPtools.com

## Kits for converting your round cable Whisper to flat drop



### CABLE COLLET CONVERSION KITS

---

89952	Corning SST
89954	Corning ROC Fast Access
89956	Commscope

### SPARE CABLE SEAL (3 Pack)

---

89506	Corning ROC Toneable
89507	Corning ROC Non-Toneable
89504	Corning SST Tonable
89505	Corning SST Non-Tonable
89506	Corning Fast Access ROC Tonable *
89507	Corning Fast Access ROC Non-Tonable *
89502	Commscope Toneable



\* Fast Access uses above cable seal guide.



**General Machine Products (KT), LLC** 3111 Old Lincoln Highway Trevose, PA 19053 USA  
Tel: +1.215.357.5500 Fax: +1.215.357.6216 Email: [info@GMPtools.com](mailto:info@GMPtools.com)