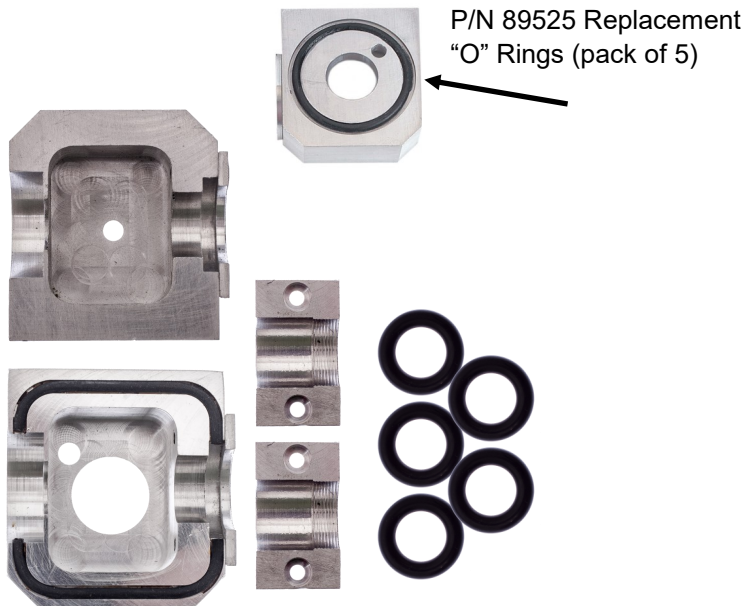


GMP Whisper Configuration For Flat Drop Fiber

In order to customize your new "Whisper" to your application, we ask that you pick, one each from the lists below, the Tube Collet Assembly P/N and the Cable Kit P/N. When ordering, please have Tube and Cable dimensions available. Other sizes available upon request.



TUBE COLLET AND CLAMP ASSEMBLIES

P/N	Tube O.D	Duct Seals
89545	4 mm	89556 (5 pack)
89539	5 mm	89549 (5 pack)
89546	6 mm	89557 (5 pack)
89547	7 mm	89553 (5 pack)
89540	8 mm	89550 (5 pack)
89537	8.5 mm	89550 (5 pack)
89541	10 mm	89551 (5 pack)
89542	12 mm	89552 (5 pack)
89543	12.7 mm	89552 (5 pack)
89538	14 mm	89555 (5 pack)
89544	16 mm	89554 (5 pack)
89536	18 mm	89558 (5pack)



CABLE COLLET KIT

89951	Corning ROC
89952	Corning SST
89954	Corning ROC Fast Access
89956	Commscope
89841	Fujikura 24 ct. Drop
89911	Essex

SPARE CABLE SEAL (3 Pack)

89506	Corning ROC Toneable
89507	Corning ROC Non-Toneable
89504	Corning SST Tonable
89505	Corning SST Non-Tonable
89506	Corning Fast Access ROC Tonable *
89507	Corning Fast Access ROC Non-Tonable *
89502	Commscope Toneable
37726	Fujikura 24 ct. Drop
89519	Essex Non-Tonable
89523	Essex Toneable



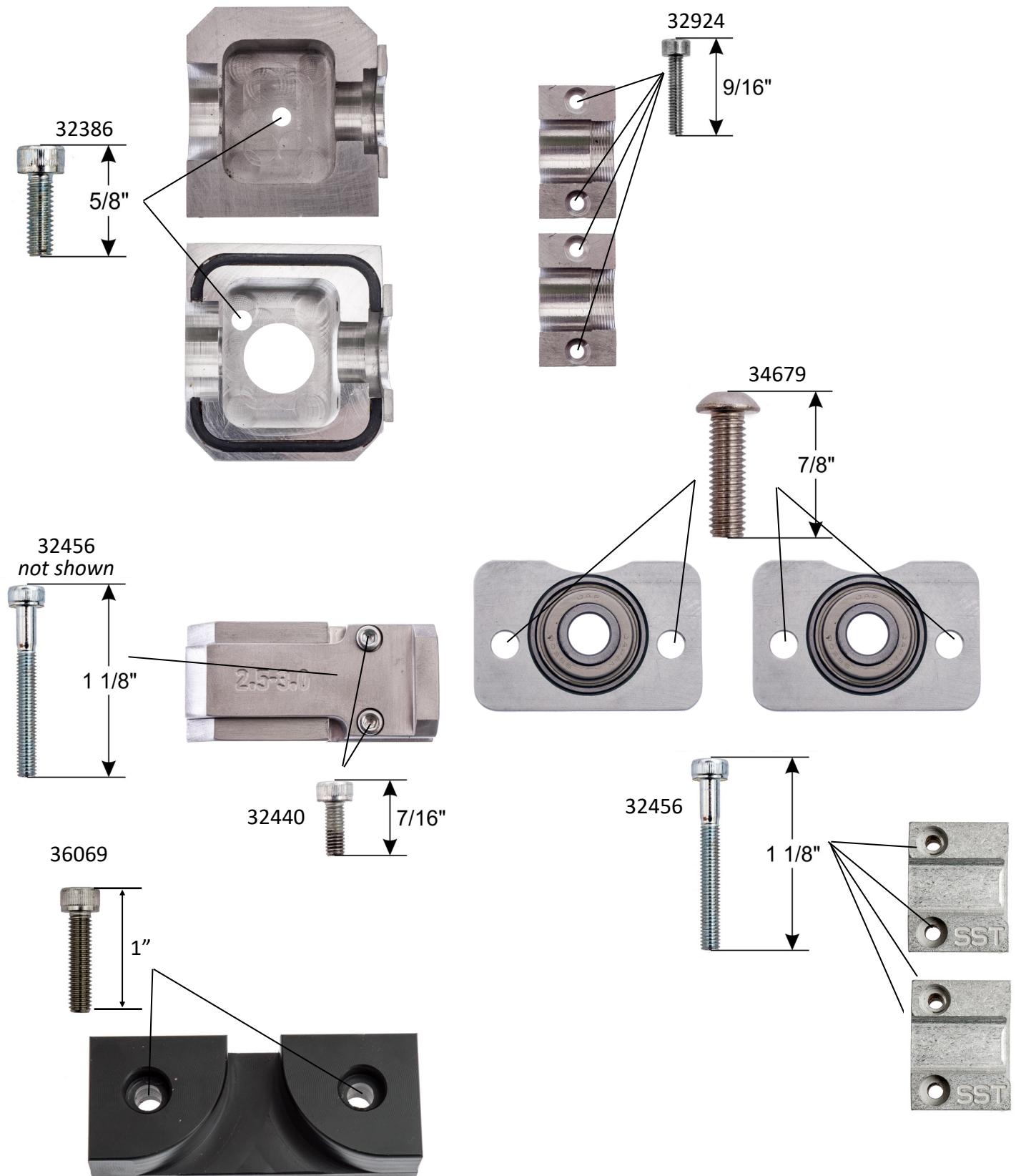
* Fast Access uses above cable guide half.



General Machine Products (KT), LLC 3111 Old Lincoln Highway Trevose, PA 19053 USA
Tel: +1.215.357.5500 Fax: +1.215.357.6216 Email: info@GMPtools.com

GMP Whisper Configuration

Replacement Hardware for Flat Drop



General Machine Products (KT), LLC 3111 Old Lincoln Highway Trevose, PA 19053 USA

Tel: +1.215.357.5500 Fax: +1.215.357.6216 Email: info@GMPtools.com

GMP Whisper Tool Kit



89691



36079



32906

89588



30069

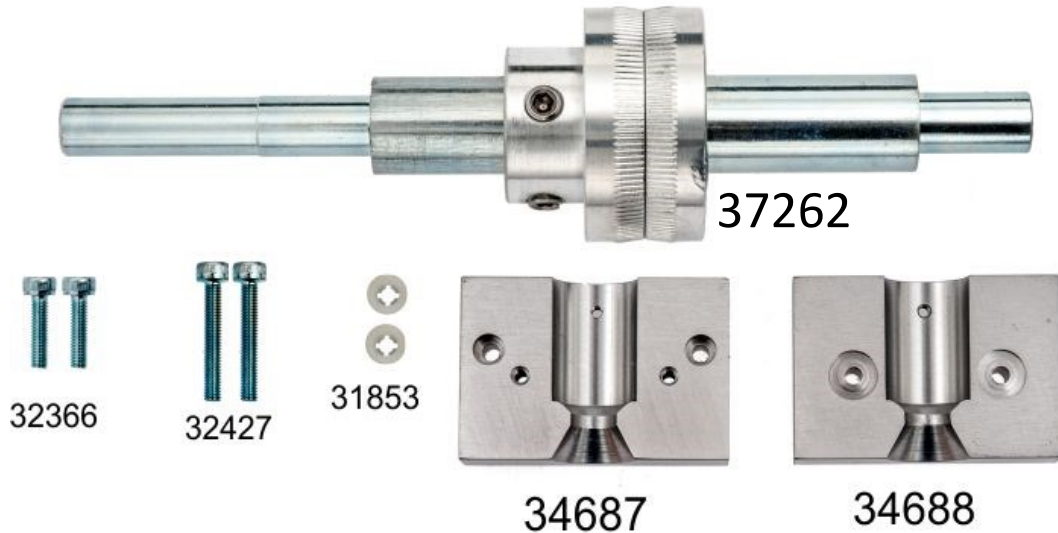


34757

Kit for converting your flat cable Whisper to round cable.

P/N 89907

INFEED DRIVE ROLLER KIT FOR WHISPER



- 31853 WASHER RETAINING 3MM NYLON
- 32366 SCAP M3X12
- 32427 SCAP M3X20
- 34687 GUIDE INFEED FIXED F/WHSPR
- 34688 GUIDE INFEED REMOVABLE WHSP
- 37262 ROLLER DRIVE ALUM KNURLED