

Accelair 3 Cable Blowing Machine

The AccelAir 3 Blown Fiber Machine is the latest complement to the range of fiber optic blowing equipment available from GMP. Designed to suit the smaller end of fiber range from 2-12 fibers (.08-5mm dia.), AccelAir 3 completes the range of Tornado, JetSteam, Hurricane, AirStream, and Whisper fiber blowing installation systems all from GMP.

A compact integrated fiber-blowing machine, the AccelAir 3 benefits from full automation and fiber management. Its sophisticated fiber protection is designed to help ensure that the blown fiber mechanical and optical integrity is maintained. The machine is self-contained and only requires an electrical supply and compressed air to operate.

Main Features

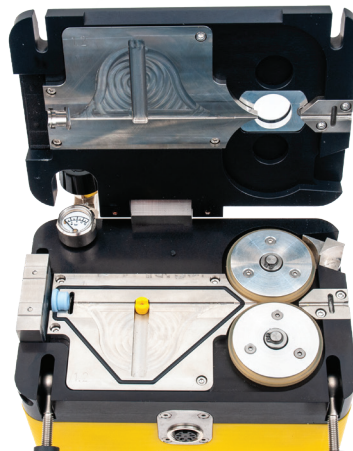
- Installs cable diameters of .08-1.6mm with buckle protection and 1.7 to 5mm without buckle protection.
- Accommodates microduct sizes of 3-12mm. Contact GMP for custom sizes.
- Powered directly by the supplied 120/240v to 30V universal power supply.
- Lightweight, durable construction with precision machined parts
- Single person operation
- Digital cable speed and length monitoring.
- Integral air valve and pressure gauge
- Low maintenance
- Durable carrying case included



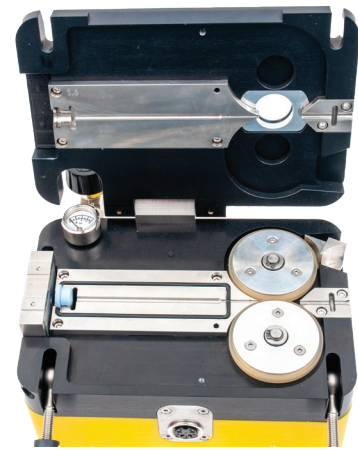
P/N 89601 AccelAir 3 Blown Fiber Machine

Specifications:

Cable Diameter:	0.8-5mm (Up to 1.6mm with buckle, up to 5mm without buckle)
Tube Size O.D.	3-12mm
Cable Speed (Adjustable):	0-165 ft/min (0-50m/min) with buckle detection 0 - 328 ft/min (0-100 m/min) without buckle detection
Max Air Pressure:	220 psi (15 Bar) 8.5 cfm (.24m ³ /min)
Power:	120/220v to 30V power supply
Width:	7.2" (184mm)
Length:	4.7" (120mm)
Height:	6.5" (166mm)
Net Weight:	6.6 lbs. (3kg)

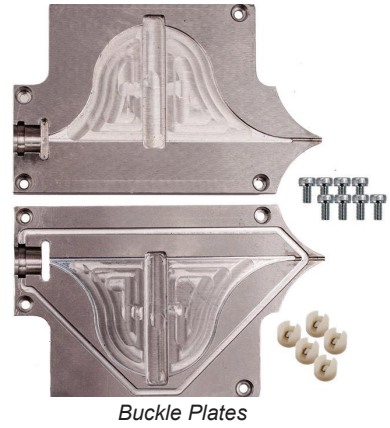


Accelair 3 fitted with buckle plates for sizes .8 to 1.6mm

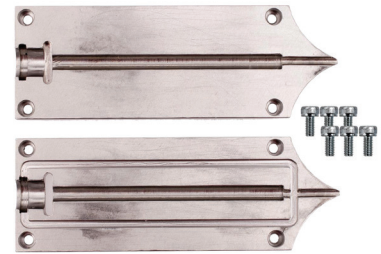


Accelair 3 fitted with blowing plates for sizes 1.7 to 5mm

P/N	COMPONENT
BUCKLE PLATES	
CHOOSE ONE SIZE BELOW FOR STANDARD ACCELAIR 3	
89440	1.0mm Buckle Plate
89441	1.2mm Buckle Plate
89442	1.4mm Buckle Plate
89443	1.5mm Buckle Plate
89657	1.6mm Buckle Plate
BLOWING PLATES	
CHOOSE ONE SIZE DUCT SEAL BELOW FOR STANDARD ACCELAIR 3	
89658	1.7mm Blowing Plate
89661	2.0mm Blowing Plate
89662	2.1mm Blowing Plate
89674	2.3mm Blowing Plate
89666	2.5mm Blowing Plate
89669	2.6mm Blowing Plate
89670	2.8mm Blowing Plate
89671	3.0mm Blowing Plate
89683	3.6mm Blowing Plate
89684	4.5mm Blowing Plate
89685	5.0mm Blowing Plate
TUBE CLAMPS AND SEALS	
CHOOSE ONE SIZE DUCT SEAL BELOW FOR STANDARD ACCELAIR 3	
89491	3mm Tube Clamp and Seals
89492	4mm Tube Clamp and Seals
89493	5mm Tube Clamp and Seals
89494	6mm Tube Clamp and Seals
89495	7mm Tube Clamp and Seals
89496	8mm Tube Clamp and Seals
89497	8.5mm Tube Clamp and Seals
89498	10mm Tube Clamp and Seals
89679	12mm Tube Clamp and Seals
INFEED GUIDES	
CHOOSE ONE SIZE DUCT SEAL BELOW FOR STANDARD ACCELAIR 3	
89478	.8-2.0mm
89479	2.0-3.0mm
89675	3.0-5.0mm
DRIVE TIRES	
CHOOSE ONE SIZE TIRE BELOW FOR STANDARD ACCELAIR 3	
89503	up to 2.0mm
89508	2mm-3.0mm
89686	3.0mm-5.0mm



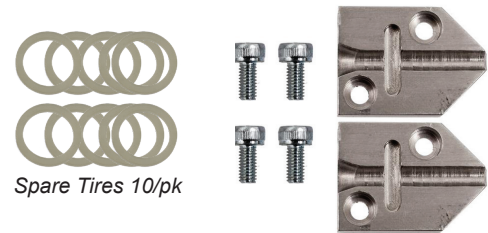
Buckle Plates



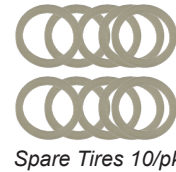
Blowing Plates



Tube Clamps and Seals



Infeed Guides



Spare Tires 10/pk

How To Chose Your ACCELAIR 3 Component Kits

When choosing the Base Model: (items priced individually)

Pick 1 Buckle plate or 1 Blowing plate

Pick 1 Tube Clamp and Seal kit

Pick 1 Infeed Guide



Air Compressor
P/N 89011



Supplied with a durable waterproof
crushproof case

Supplied With All Machines

- AccelAir 3 Cable Blowing Machine
- Remote Control
- Toolkit
- Heavy-duty weatherproof case
- Manual



GENERAL MACHINE PRODUCTS (KT), LLC
3111 OLD LINCOLN HWY, TREVOSE PA 19053
GMPTOOLS.COM 215.357.5500