

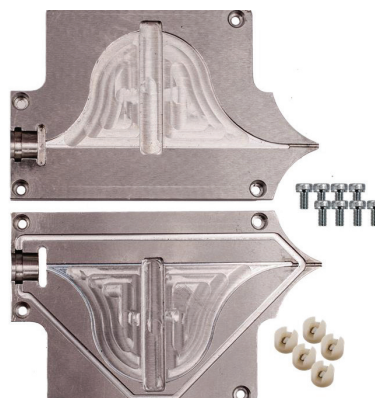


ACCELAIR 3

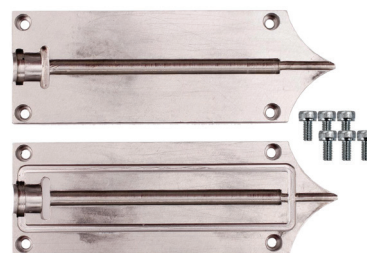
PLUS

P/N	COMPONENT		
BUCKLE PLATES			
CHOOSE ONE SIZE BELOW FOR STANDARD ACCELAIR 3			
89440	1.0mm Buckle Plate	1	
89441	1.2mm Buckle Plate	1	
89442	1.4mm Buckle Plate	1	
89443	1.5mm Buckle Plate	1	
BLOWING PLATES			
CHOOSE ONE SIZE DUCT SEAL BELOW FOR STANDARD ACCELAIR 3			
89657	1.6mm Blowing Plate	1	
89658	1.7mm Blowing Plate	1	
89661	2.0mm Blowing Plate	1	
89662	2.1mm Blowing Plate	1	
89674	2.3mm Blowing Plate	1	
89666	2.5mm Blowing Plate	1	
89671	3.0mm Blowing Plate	1	
TUBE CLAMPS AND SEALS			
CHOOSE ONE SIZE DUCT SEAL BELOW FOR STANDARD ACCELAIR 3			
89491	3mm Tube Clamp and Seals	1	
89492	4mm Tube Clamp and Seals	1	
89493	5mm Tube Clamp and Seals	1	
89494	6mm Tube Clamp and Seals	1	
89495	7mm Tube Clamp and Seals	1	
89496	8mm Tube Clamp and Seals	1	
89497	8.5mm Tube Clamp and Seals	1	
89498	10mm Tube Clamp and Seals	1	
INFEED GUIDES			
CHOOSE ONE SIZE DUCT SEAL BELOW FOR STANDARD ACCELAIR 3			
89478	.8-2.0mm	1	
89479	2.0-3.0mm	1	
DRIVE TIRES			
CHOOSE ONE SIZE TIRE BELOW FOR STANDARD ACCELAIR 3			
89503	Up to 2.0mm	1	
89508	2mm-3.0mm	1	

Up to 30% savings on accessories when purchasing the Plus or Max



Buckle Plates



Blowing Plates



Tube Clamps and Seals



Spare Tires 10/pk

Infeed Guides

How To Chose Your ACCELAIR 3 Component Kits

When choosing the Base Model: (items priced individually)

Pick 1 Buckle plate or 1 Blowing plate

Pick 1 Tube Clamp and Seal kit

Pick 1 Infeed Guide

When choosing the Plus Model: (included in price)

Receive all components to blow the 3 most popular sizes

Supplied With All Machines

AccelAir 3 Cable Blowing Machine

Remote Control

Toolkit

Heavy-duty weatherproof case

Manual

Kit Part Numbers

Base: 89500

Plus: 89860



Air Compressor
P/N 89011