

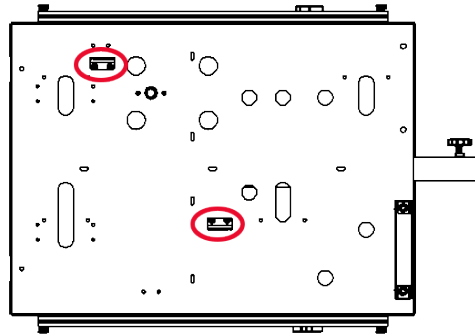
# Air Stream Hold Down Kit – P/N 38341

## Fiber Blowing Workstation

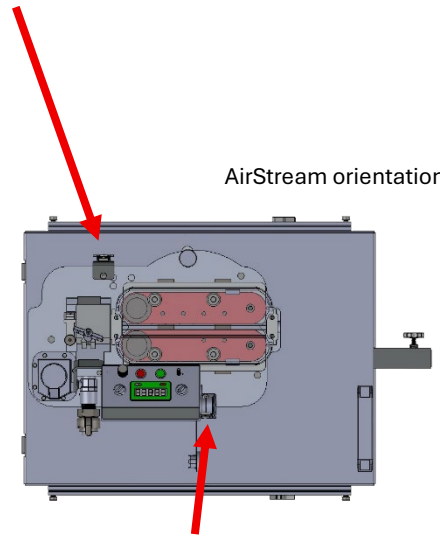
Included in Kit



Bracket Locations on Workstation

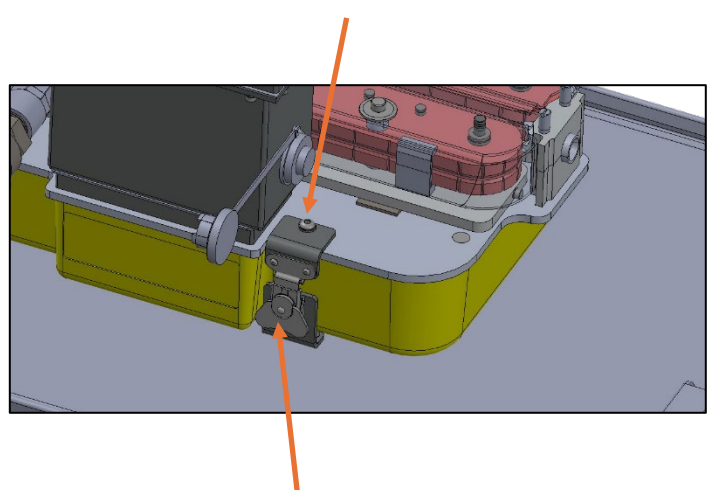
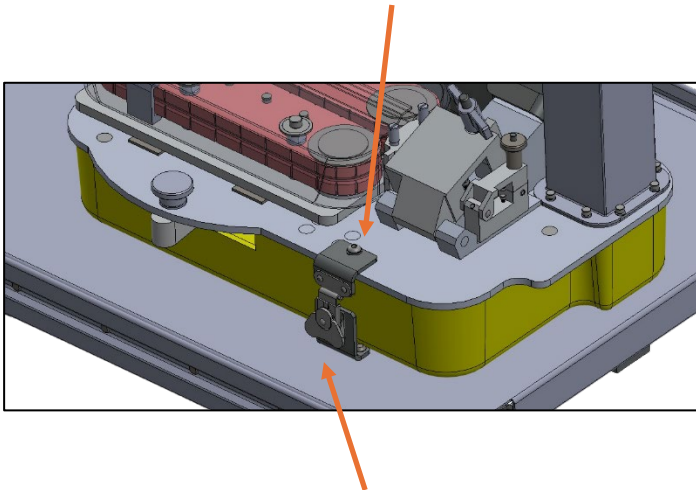


AirStream orientation



Remove flathead screw and replace with  
M6 button head and lock washer

Remove flathead screw and replace with  
M6 button head and lock washer



Mount bottom bracket with (2) 10-32 x .5-inch  
button head screws and lock nuts

Mount bottom bracket with (2) 10-32 x .5-inch  
button head screws and lock nuts

**General Machine Products (KT), LLC**

3111 Old Lincoln Hwy

Treose, PA 19053

[www.gmptools.com](http://www.gmptools.com) • 215-357-5500

