

Hurricane Hold Down Kit – P/N 38343

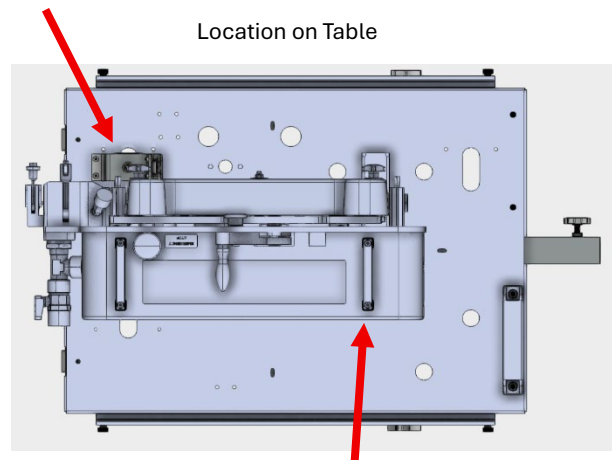
Fiber Blowing Workstation

Included in Kit:

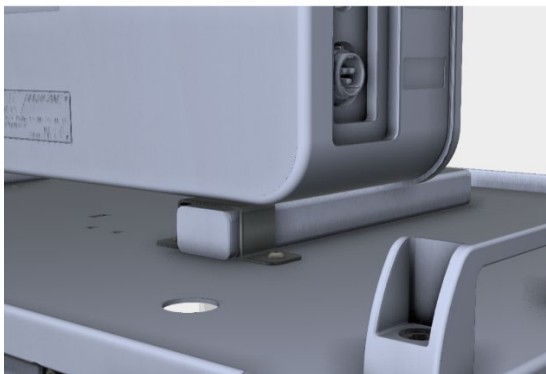
Front clamping mount

Rear clamping mount

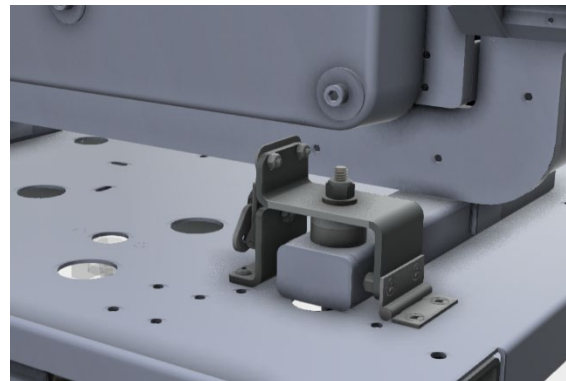
Mounting hardware



Rear fixed mount



Front clamping mount



General Machine Products (KT), LLC

3111 Old Lincoln Hwy

Treose, PA 19053

www.gmptools.com • 215-357-5500


a **KLEIN TOOLS**® company