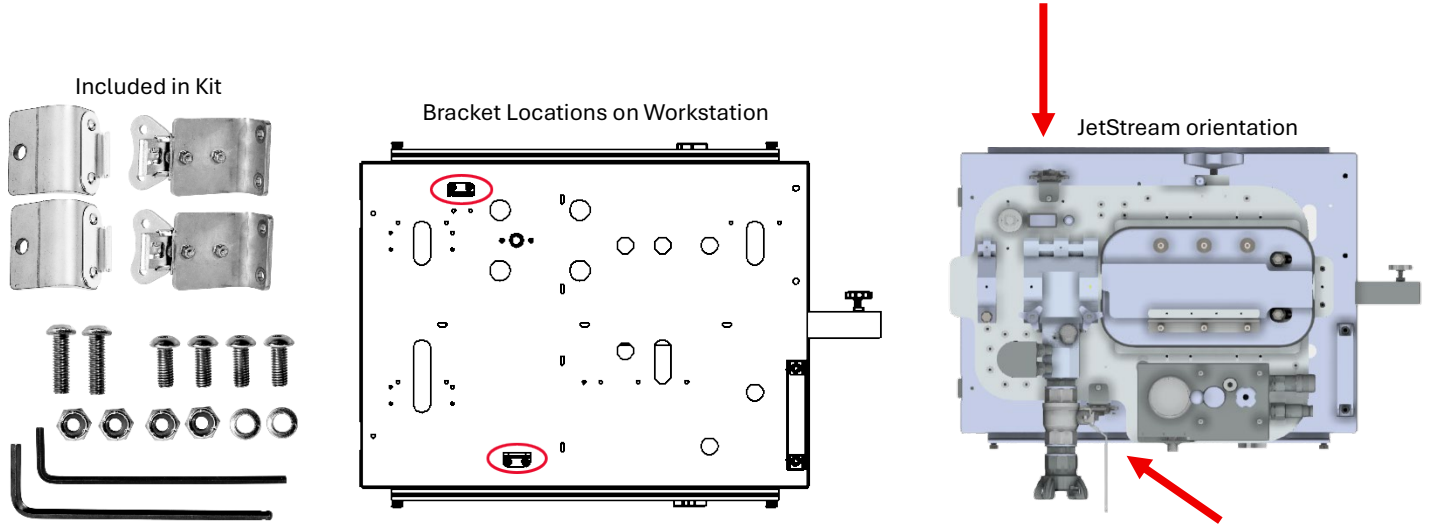


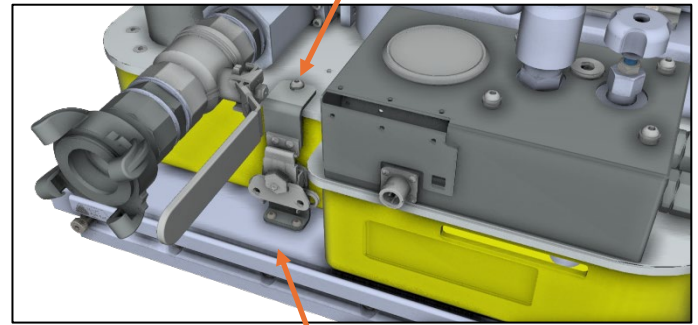
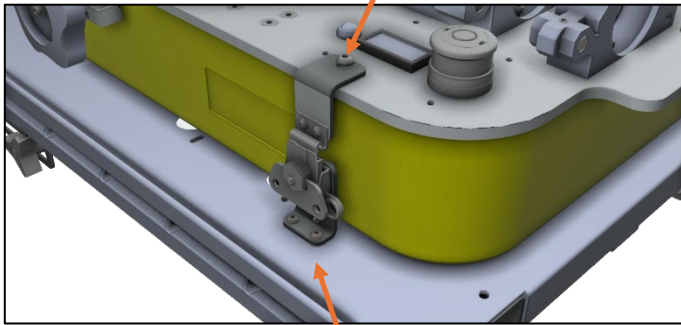
JetStream Hold Down Kit – P/N 38342

Fiber Blowing Workstation



Remove flathead screw and replace with M6 button head and lock washer

Remove flathead screw and replace with M6 button head and lock washer



Mount bottom bracket with (2) 10-32 x .5-inch button head screws and lock nuts

Mount bottom bracket with (2) 10-32 x .5-inch button head screws and lock nuts